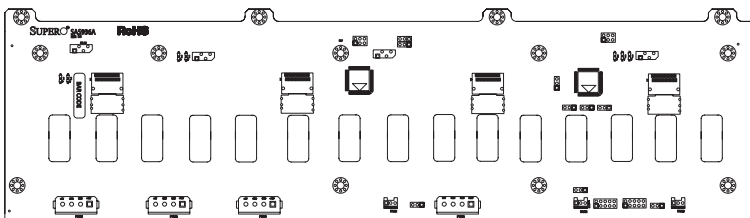


SUPERO®



SAS-936A BACKPLANE

USER'S GUIDE

Rev. 1.0

The information in this User's Manual has been carefully reviewed and is believed to be accurate. The vendor assumes no responsibility for any inaccuracies that may be contained in this document, makes no commitment to update or to keep current the information in this manual, or to notify any person or organization of the updates. **Please Note: For the most up-to-date version of this manual, please see our web site at www.supermicro.com.**

Super Micro Computer, Inc. ("Supermicro") reserves the right to make changes to the product described in this manual at any time and without notice. This product, including software, if any, and documentation may not, in whole or in part, be copied, photocopied, reproduced, translated or reduced to any medium or machine without prior written consent.

IN NO EVENT WILL SUPERMICRO BE LIABLE FOR DIRECT, INDIRECT, SPECIAL, INCIDENTAL, SPECULATIVE OR CONSEQUENTIAL DAMAGES ARISING FROM THE USE OR INABILITY TO USE THIS PRODUCT OR DOCUMENTATION, EVEN IF ADVISED OF THE POSSIBILITY OF SUCH DAMAGES. IN PARTICULAR, SUPERMICRO SHALL NOT HAVE LIABILITY FOR ANY HARDWARE, SOFTWARE, OR DATA STORED OR USED WITH THE PRODUCT, INCLUDING THE COSTS OF REPAIRING, REPLACING, INTEGRATING, INSTALLING OR RECOVERING SUCH HARDWARE, SOFTWARE, OR DATA.

Any disputes arising between manufacturer and customer shall be governed by the laws of Santa Clara County in the State of California, USA. The State of California, County of Santa Clara shall be the exclusive venue for the resolution of any such disputes. Super Micro's total liability for all claims will not exceed the price paid for the hardware product.

Manual Revision 1.0b

Release Date: January 8, 2008

Unless you request and receive written permission from SUPER MICRO COMPUTER, you may not copy or otherwise reproduce/distribute any part of this document.

Information in this document is subject to change without notice. Other products and companies referred to herein are trademarks or registered trademarks of their respective companies or mark holders.

Copyright © 2008 by SUPER MICRO COMPUTER INC.
All rights reserved.

Printed in the United States of America

Table of Contents

SAS 936A BACKPLANE

Contacting SuperMicro iv

Chapter 1 Safety Guidelines

1-1 ESD Safety Guidelines 1-1

1-2 General Safety Guidelines 1-1

1-3 A Note to Users 1-2

Chapter 2 Jumper Settings and Pin Definitions

2-1 Front Connectors and Jumpers 2-1

Front Connectors 2-1

2-2 Front Connector and Pin Definitions 2-3

2-3 Front Jumper Locations and Pin Definitions 2-5

Explanation of Jumpers 2-5

Fan Jumper Settings 2-6

I²C and SGPIO Modes and Jumper Settings 2-7

Front LED Indicators 2-8

Front Panel LEDs 2-8

2-4 Rear Connectors and LED Indicators 2-9

Contact Information

Headquarters

Address: Super Micro Computer, Inc.
980 Rock Ave.
San Jose, CA 95131 U.S.A.

Tel: +1 (408) 503-8000

Fax: +1 (408) 503-8008

Email: marketing@supermicro.com (General Information)
support@supermicro.com (Technical Support)

Web Site: www.supermicro.com

Europe

Address: Super Micro Computer B.V.
Het Sterrenbeeld 28, 5215 ML
's-Hertogenbosch, The Netherlands

Tel: +31 (0) 73-6400390

Fax: +31 (0) 73-6416525

Email: sales@supermicro.nl (General Information)
support@supermicro.nl (Technical Support)
rma@supermicro.nl (Customer Support)

Asia-Pacific

Address: Super Micro Computer, Taiwan
4F, No. 232-1, Liancheng Rd.
Chung-Ho 235, Taipei County
Taiwan, R.O.C.

Tel: +886-(2) 8226-3990

Fax: +886-(2) 8226-3991

Web Site: www.supermicro.com.tw

Email: support@supermicro.com.tw (Technical Support)

Tel: 886-2-8228-1366, ext.132 or 139

Chapter 1

Safety Guidelines

To avoid personal injury and property damage, carefully follow all the safety steps listed below when accessing your system or handling the components.

1-1 ESD Safety Guidelines

Electric Static Discharge (ESD) can damage electronic components. To prevent damage to your system, it is important to handle it very carefully. The following measures are generally sufficient to protect your equipment from ESD.

- Use a grounded wrist strap designed to prevent static discharge.
- Touch a grounded metal object before removing a component from the antistatic bag.
- Handle the RAID card by its edges only; do not touch its components, peripheral chips, memory modules or gold contacts.
- When handling chips or modules, avoid touching their pins.
- Put the card and peripherals back into their antistatic bags when not in use.

1-2 General Safety Guidelines

- Always disconnect power cables before installing or removing any components from the computer, including the backplane.
- Disconnect the power cable before installing or removing any cables from the backplane.
- Make sure that the backplane is securely and properly installed on the motherboard to prevent damage to the system due to power shortage.

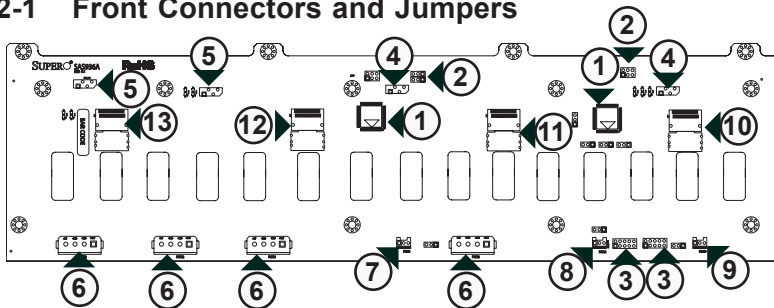
1-3 A Note to Users

- All images and layouts shown in this user's guide are based upon the latest PCB Revision available at the time of publishing. The card you have received may or may not look exactly the same as the graphics shown in this manual.

Chapter 2

Jumper Settings and Pin Definitions

2-1 Front Connectors and Jumpers



Front Connectors

- | | |
|---|------------------------------|
| 1. Chip: MG9072 | 7. Fan Connector, Fan#1 JP54 |
| 2. Upgrade Connectors: JP69 and JP78 | 8. Fan Connector, Fan#2 JP56 |
| 3. ACT_IN: JP26 and JP47 | 9. Fan Connector, Fan#3 JP58 |
| 4. I ² C Connector #1 (JP37) and #2 (JP95) | 10. SAS IN#1 JSM1 |
| 5. I ² C Connector #3 (JP52) and #4 (JP96) | 11. SAS IN#2 JSM2 |
| 6. Power Connectors (4-pin): JP10, JP13, JP46 and JP48. | 12. SAS IN#3 JSM3 |
| | 13. SAS IN#4 JSM4 |

2-2 Front Connector and Pin Definitions

1. MG9072 Chip

The MG9072 is an enclosure management chip that supports the SES-2 controller and SES-2 protocols.

2. Upgrade Connectors

The upgrade connectors are designated JP69, and JP78 are used for manufacturer's diagnostic purposes only.

3. ACT_IN:

The activity LED connectors, designated JP26, and JP47 are used to indicate the activity status of each SAS drive. The Activity LED connector is located on the front panel. For the Activity LED connector to work properly, connect using a 10-pin LED cable. This is only used when the Activity LED is not supported by the hard drive.

SAS Activity LED Header Pin Definitions (JP26)			
Pin #	Definition	Pin #	Definition
1	ACT IN#0	6	ACT IN#4
2	ACT IN#1	7	ACT IN#5
3	ACT IN#2	8	ACT IN#6
4	ACT IN#3	9	ACT IN#7
5	Ground	10	Empty

SAS Activity LED Header Pin Definitions (JP47)			
Pin #	Definition	Pin #	Definition
1	ACT IN#8	6	ACT IN#12
2	ACT IN#9	7	ACT IN#13
3	ACT IN#10	8	ACT IN#14
4	ACT IN#11	9	ACT IN#15
5	Ground	10	Empty

4. and 5. I²C Connectors

The I²C Connectors, designated JP37, JP95, JP52, and JP96 are used to monitor HDD activity and status. See the table on the right for pin definitions.

I ² C Connector Pin Definitions (JP37, JP95, JP52 and JP96)	
Pin#	Definition
1	Data
2	Ground
3	Clock
4	No Connection

6. Backplane Main Power Connectors

The 4-pin connectors, designated JP10, JP13, JP46 and JP48, provide power to the backplane. See the table on the right for pin definitions.

Backplane Main Power 4-Pin Connector (JP10, JP13, JP46, and JP48)	
Pin# Definition	
1	+12V
2 and 3	Ground
4	+5V

7., 8. and 9. Fan Connectors

The 3-pin or 4-pin connectors, designated JP54, JP56, and JP58 provide power to the fans. See the table on the right for pin definitions.

Fan Connectors (JP54, JP56 and JP58)	
Pin# Definition	
1	Ground
2	+12V
3	Tachometer
4	No Connection

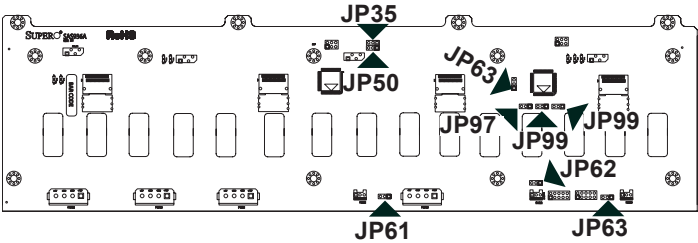
10. - 13. SAS IN Ports (Sideband included)

The SAS ports are used to connect the SAS drive cables. The four SAS IN ports are designated #JSM1 - #JSM4. Each port is also compatible with SATA drives.

Note: SGPIO is the default setting for this backplane

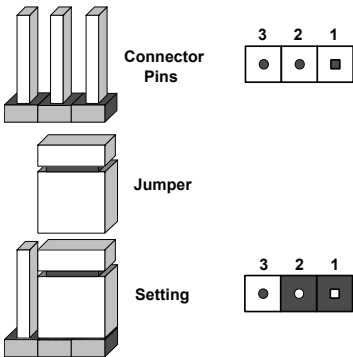
Sideband Definitions (JSM1 - JSM4)			
Pin # Definition		Pin # Definition	
A11	SGPIO: SDIN PC: Backplane Addressing (SB5)	B11	Controller ID (SB6)
A12	SGPIO: SDOUT PC: Reset (SB4)	B10	GND (SB2)
A9	GND (SB3)	B9	SGPIO: SLOAD PC: SDA (SB1)
A8	Backplane ID (SB7)	B8	SGPIO: SCLOCK PC: SCL (SB0)

2-3 Front Jumper Locations and Pin Definitions



Explanation of Jumpers

To modify the operation of the backplane, jumpers can be used to choose between optional settings. Jumpers create shorts between two pins to change the function of the connector. Pin 1 is identified with a square solder pad on the printed circuit board. Note: On two pin jumpers, "Closed" means the jumper is on and "Open" means the jumper is off the pins.



Jumper Settings		
Jumper	Jumper Settings	Note
JP35	1-2: Reset 2-3: Default	MG9072 Chip Reset #1
JP50	1-2: Reset 2-3: Default	MG9072 Chip Reset #2

Fan Jumper Settings

This backplane can use up to four fans. To utilize each fan, you must configure **both jumpers** as instructed below.

Fan Jumper Settings		
Jumper	Jumper Settings	Note
JP61	1-2:With Fan (Default) 2-3:No Fan	FAN#1
JP97	1-2:With Fan (Default) 2-3:No Fan	FAN#1
JP62	1-2:With Fan (Default) 2-3:No Fan	FAN#2
JP98	1-2:With Fan (Default) 2-3:No Fan	FAN#2
JP63	1-2:With Fan (Default) 2-3:No Fan	FAN#3
JP99	1-2:With Fan (Default) 2-3:No Fan	FAN#3

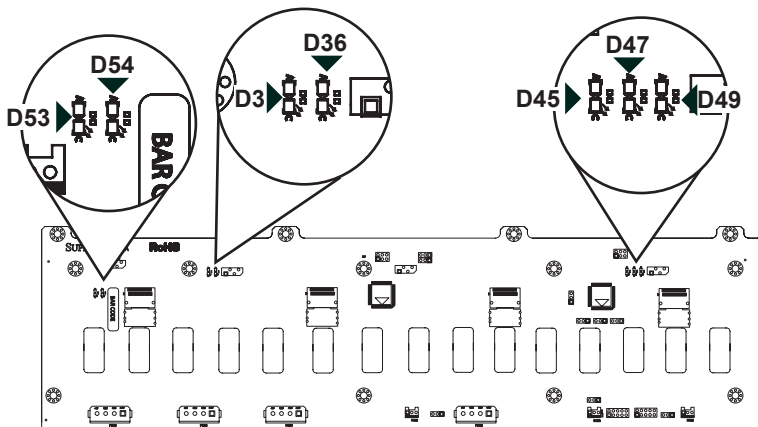
I²C and SGPIO Modes and Jumper Settings

This backplane can utilize I²C or SGPIO. SGPIO is the default mode and can be used without making changes to your jumper. The following information details which jumper must be configured to use SGPIO mode or restore your backplane to I²C mode.

SGPIO Setting (Default)		
Jumper	Jumper Setting	Note
JP84	1-2	SGPIO Mode Setting

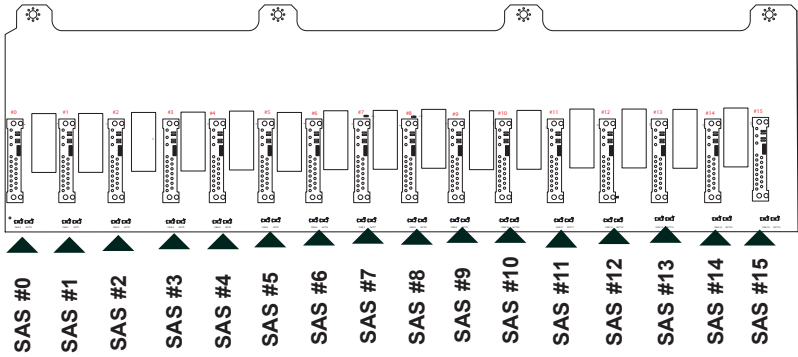
I²C Setting		
Jumper	Jumper Setting	Note
JP84	2-3	I ² C Setting

Front LED Indicators



Front Panel LEDs		
LED	STATE	SPECIFICATION
D45	ON	Failure in Fan #1.
D47	ON	Failure in Fan #2.
D49	ON	Failure in Fan #3.
D3	ON	Alarm #1: Overheat/Drive Failure/Fan Failure in Channels 0-7.
D36	ON	Alarm #2: Overheat/Drive Failure in Channels 8-15.
D53	OFF	+5V : Backplane power failure. Light is on during normal operation.
D54	OFF	+12V : Backplane power failure. Light is on during normal operation.

C-4 Rear Connectors and LED Indicators



Rear SAS/SATA Connectors			
Rear Connector	SAS Drive Number	Rear Connector	SAS Drive Number
SAS #0	SAS/SATA HDD #0	SAS #12	SAS/SATA HDD #12
SAS #1	SAS/SATA HDD #1	SAS #13	SAS/SATA HDD #13
SAS #2	SAS/SATA HDD #2	SAS #14	SAS/SATA HDD #14
SAS #3	SAS/SATA HDD #3	SAS #15	SAS/SATA HDD #15
SAS #4	SAS/SATA HDD #4	SAS #16	SAS/SATA HDD #16
SAS #5	SAS/SATA HDD #5	SAS #17	SAS/SATA HDD #17
SAS #6	SAS/SATA HDD #6	SAS #18	SAS/SATA HDD #18
SAS #7	SAS/SATA HDD #7	SAS #19	SAS/SATA HDD #19
SAS #8	SAS/SATA HDD #8	SAS #20	SAS/SATA HDD #20
SAS #9	SAS/SATA HDD #9	SAS #21	SAS/SATA HDD #21
SAS #10	SAS/SATA HDD #10	SAS #22	SAS/SATA HDD #22
SAS #11	SAS/SATA HDD #11	SAS #23	SAS/SATA HDD #23

Rear LED Indicators		
Rear LED	Hard Drive Activity	Failure LED
SAS #0	D12	D5
SAS #1	D13	D6
SAS #2	D14	D7
SAS #3	D15	D8
SAS #4	D18	D19
SAS #5	D21	D20
SAS #6	D22	D23
SAS #7	D24	D29
SAS #8	D25	D30
SAS #9	D26	D31
SAS #10	D27	D32
SAS #11	D28	D33
SAS #12	D40	D37
SAS #13	D41	D38
SAS #14	D42	D39
SAS #15	D87	D88