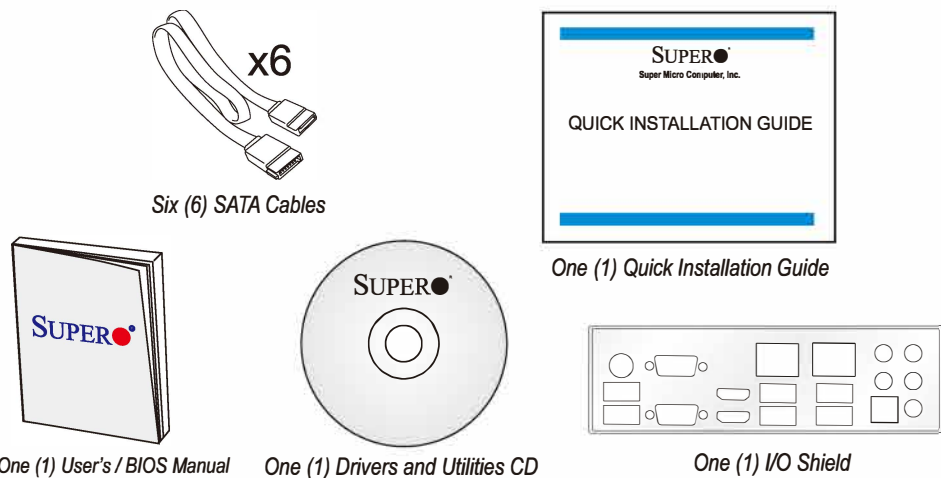


Package Contents



Location of Jumpers, Slots, Connectors

Jumpers

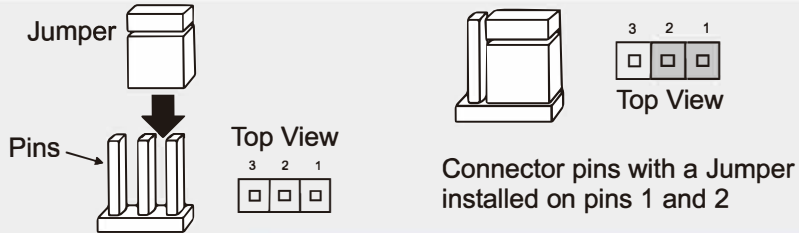
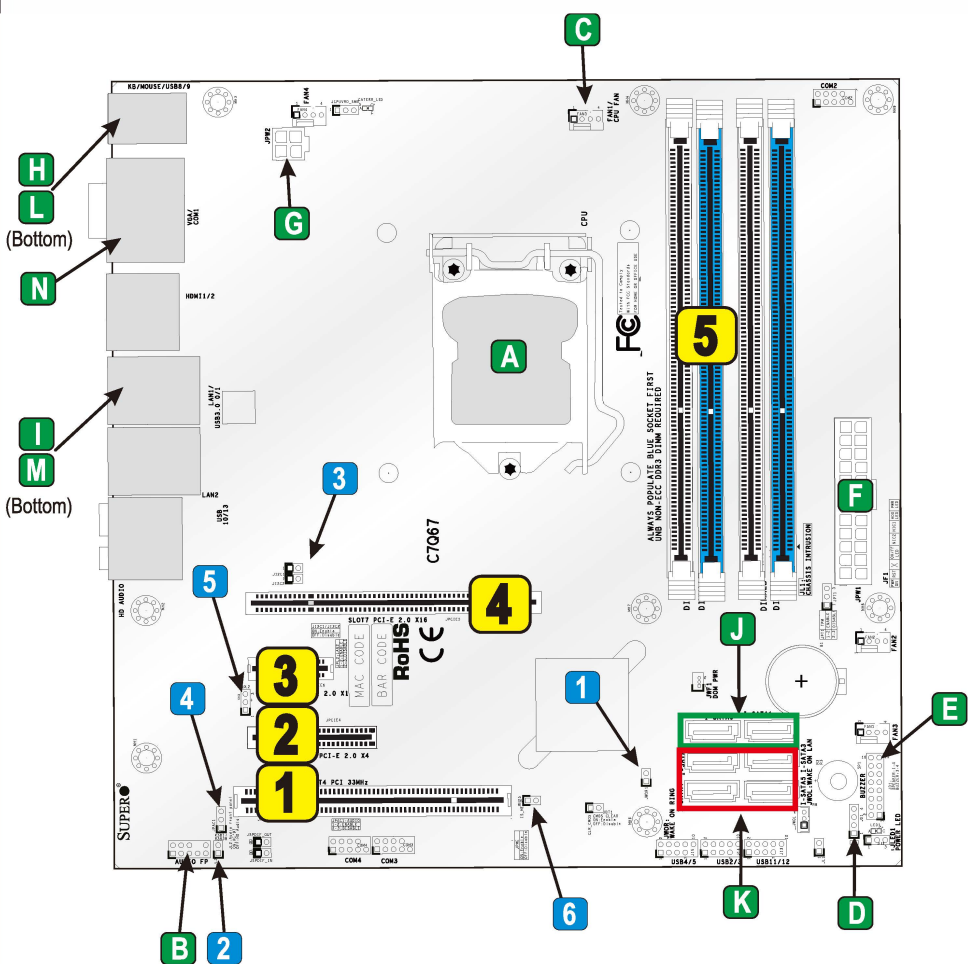
- 1 CMOS Clear (JBT1)
- 2 HD/Legacy Audio Select (JHD_AC1)
- 3 SMB to PCI Slots (JPC1/JPC2)
- 4 Audio Enable (JPAC1)
- 5 LAN2 Enable (JPL2)
- 6 Intel ME Mode Select (JPME1)

Slots

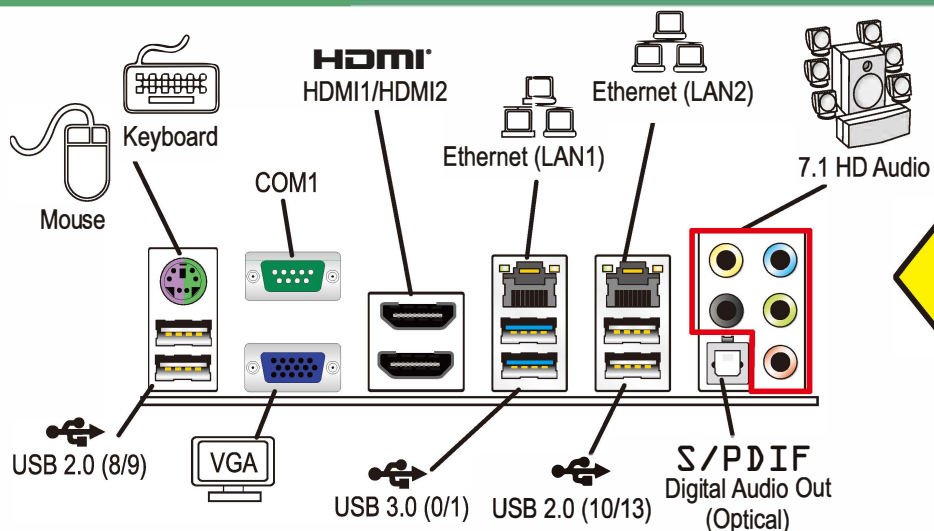
- 1 Slot 4 (33MHz)
- 2 Slot 5 (PCI-Express 2.0 x4)
- 3 Slot 6 (PCI-Express 2.0 x1)
- 4 Slot 7 (PCI-Express 2.0 x16)
- 5 DIMM1A Memory Slot (Blue)

Connectors

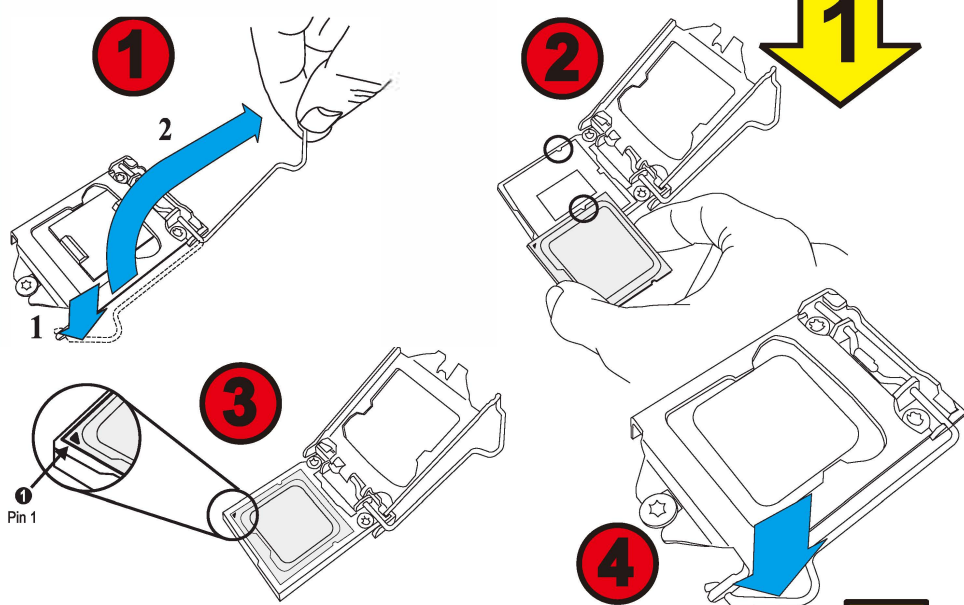
- A LGA 1155 CPU Socket (CPU)
- B Front Panel Audio Header (Audio_FP)
- C Fan1/CPU Fan (FAN1)
- D Buzzer/External Speaker (JD1)
- E Front Panel Control Header (JF1)
- F 24-Pin Power (JPW1)
- G 8-Pin Power (JPW2)
- H Keyboard/Mouse (KB/Mouse)
- I LAN Port#1 (LAN1)
- J SATA 3.0 Ports
- K SATA 2.0 Ports
- L USB 2.0 Ports 8/9
- M USB 3.0 Ports 0/1
- N VGA Port



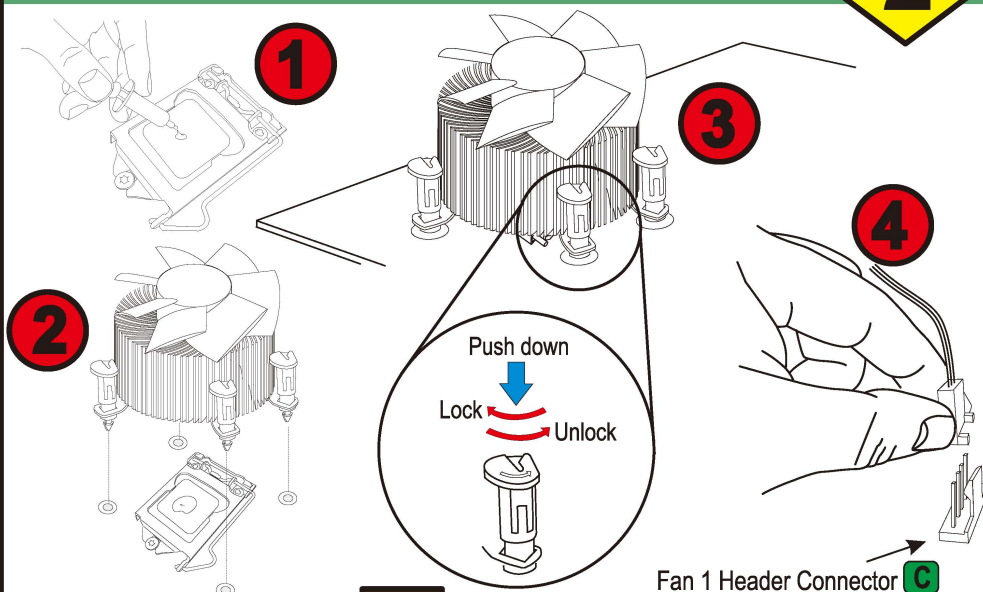
Locate the External I/O Ports



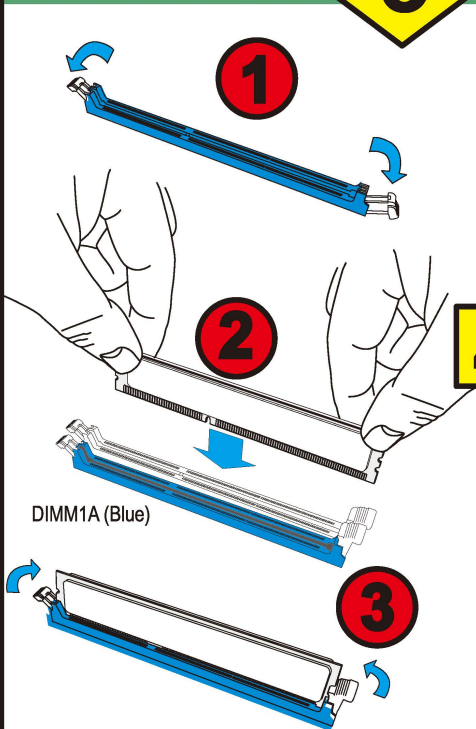
Install the Processor



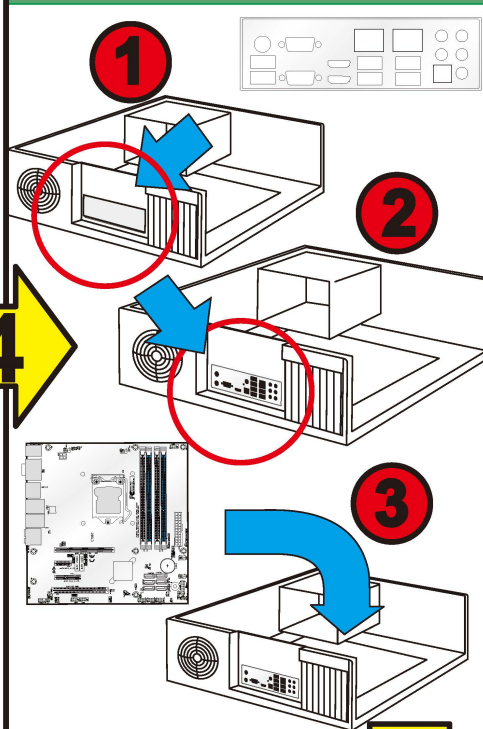
Install the Heatsink & Fan



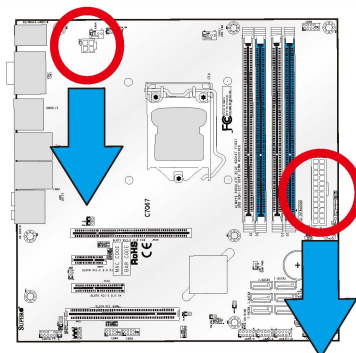
Install the Memory



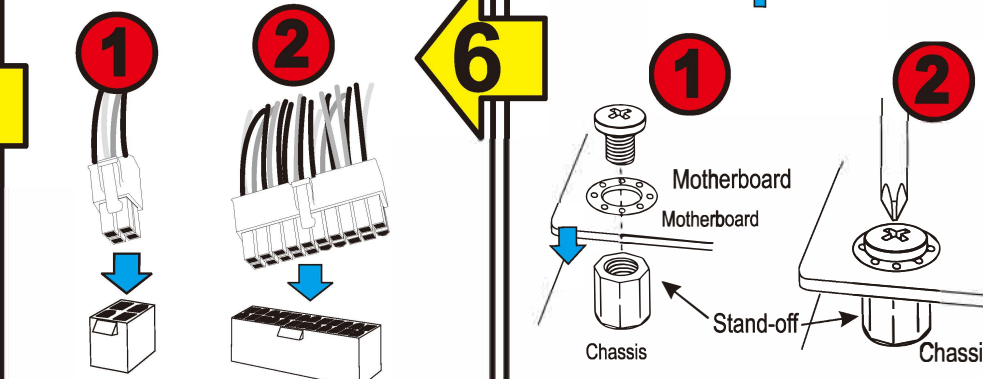
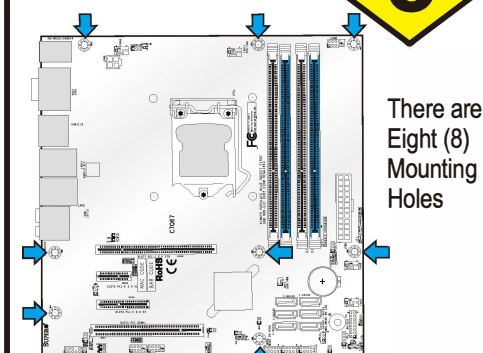
Install the I/O Shield & Motherboard



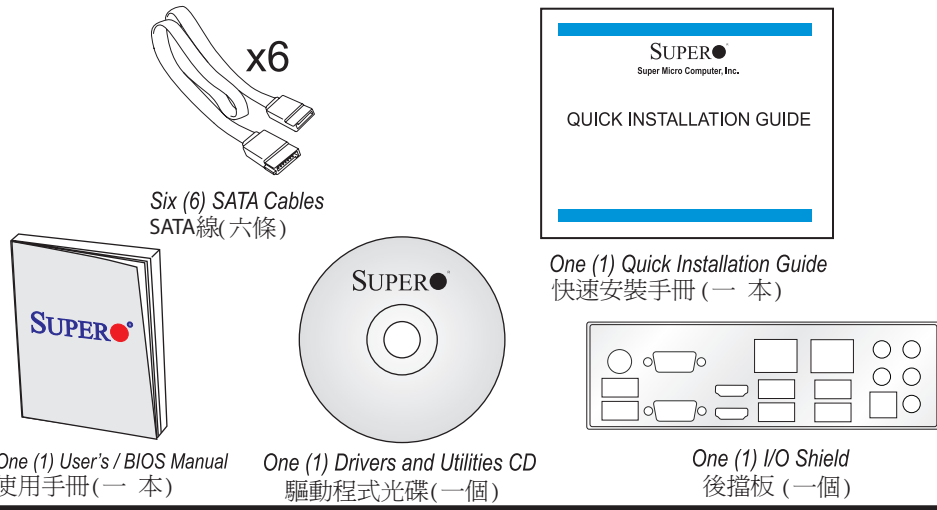
Attach the Power Supply



Mount the Motherboard



Package Contents (包裝內容)



Location of Jumpers, Slots, Connectors (跳腳, 插槽及連接埠位置)

Jumpers (跳腳)

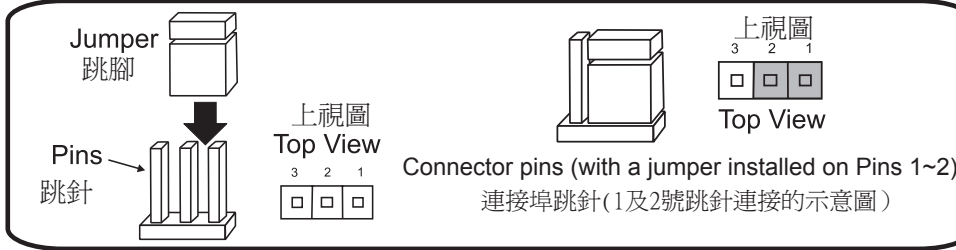
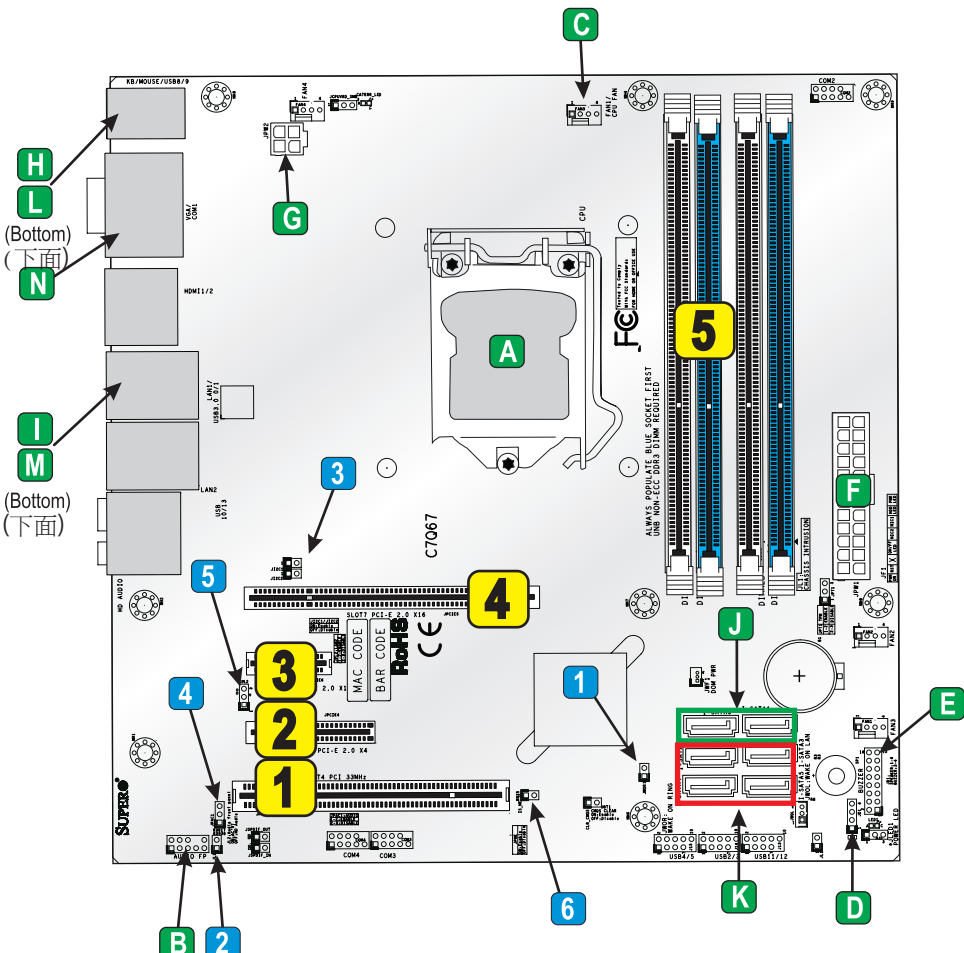
- 1 CMOS Clear (JBT1)
- 2 HD/Legacy Audio Select (JHD_AC1)
- 3 SMB to PCI Slots (JPC1/JPC2)
- 4 Audio Enable (JPAC1)
- 5 LAN2 Enable (JPL2)
- 6 Intel ME Mode Select (JPME1)

Slots (插槽)

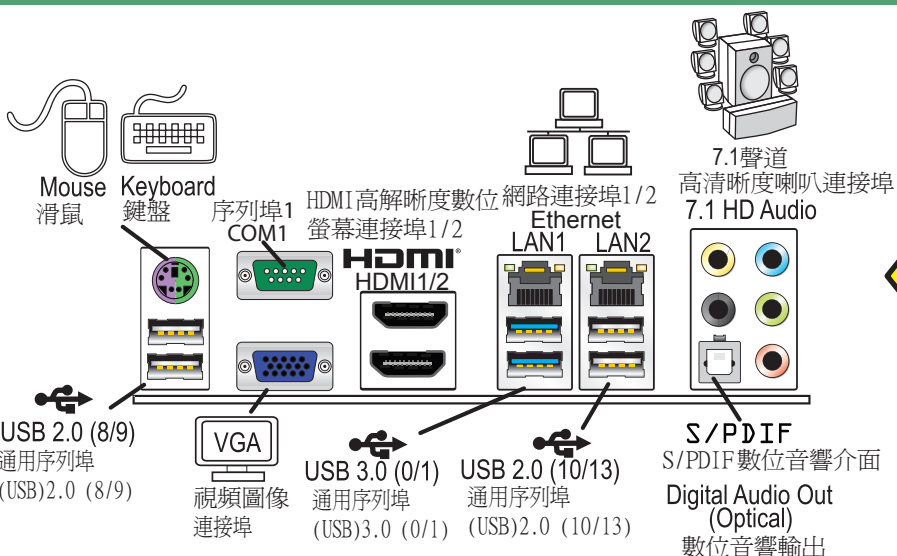
- 1 Slot 4 (33MHz)
- 2 Slot 5 (PCI-Express 2.0 x4)
- 3 Slot 6 (PCI-Express 2.0 x1)
- 4 Slot 7 (PCI-Express 2.0 x16)
- 5 DIMM1A Memory Slot (Blue)

Connectors (連接埠)

- A LGA 1155 CPU Socket (CPU)
- B Front Panel Audio Header (Audio_FP)
- C Fan1/CPU Fan (FAN1)
- D Buzzer/External Speaker (JD1)
- E Front Panel Control Header (JF1)
- F 24-Pin Power (JPW1)
- G 8-Pin Power (JPW2)
- H Keyboard/Mouse (KB/Mouse)
- I LAN Port#1 (LAN1)
- J SATA 3.0 Ports
- K SATA 2.0 Ports
- L USB 2.0 Ports 8/9
- M USB 3.0 Ports 0/1
- N VGA Port



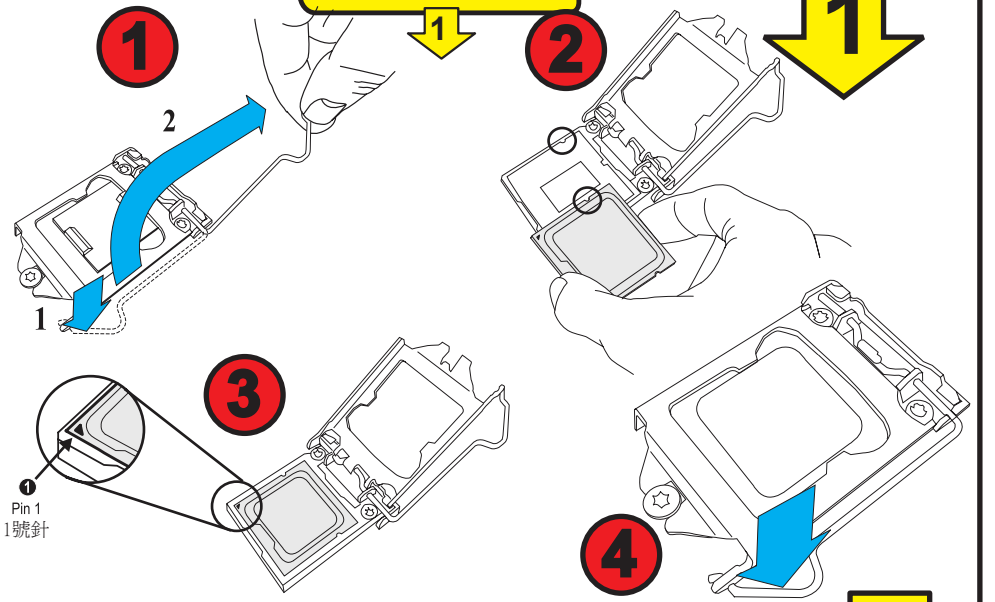
Locate the External I/O Ports (背板連接埠位置示意圖)



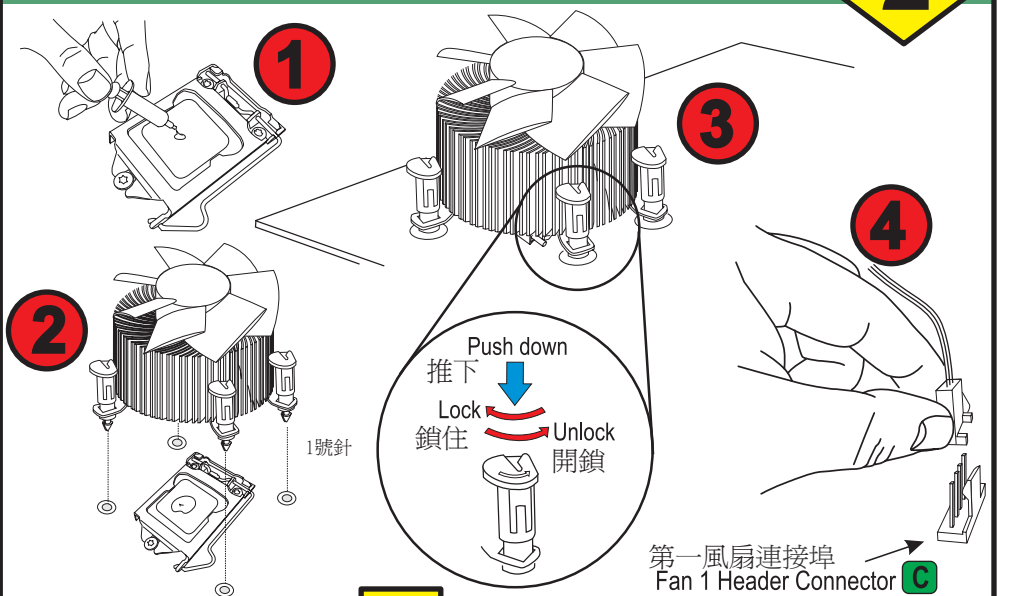
Install the Processor (安裝中央處理器-CPU)

START

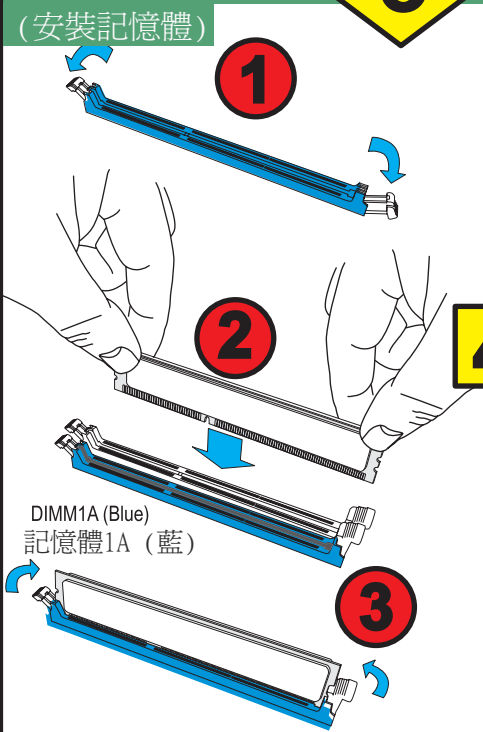
第1步從這裡開始



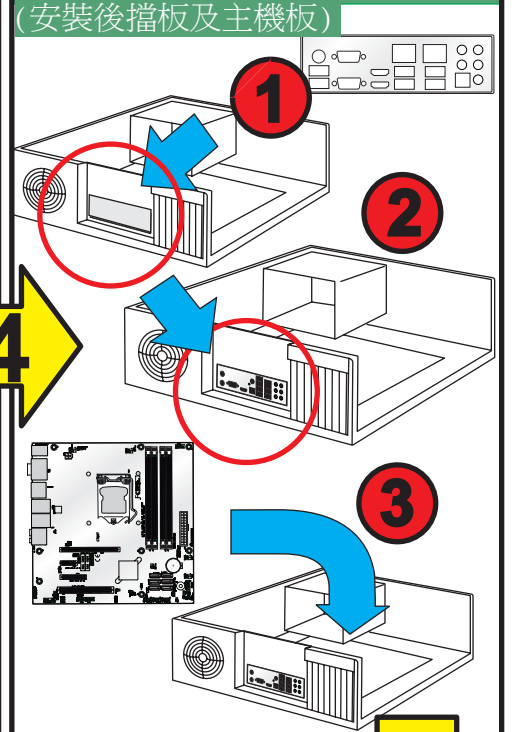
Install the Heatsink & Fan (安裝散熱器和風扇)



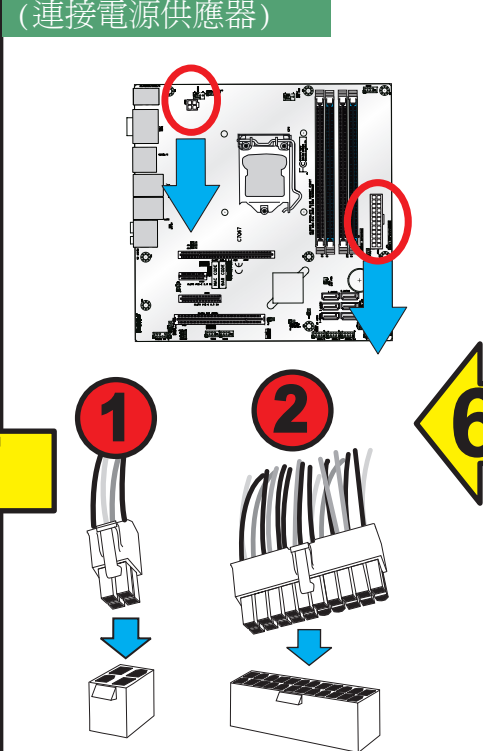
Install the Memory (安裝記憶體)



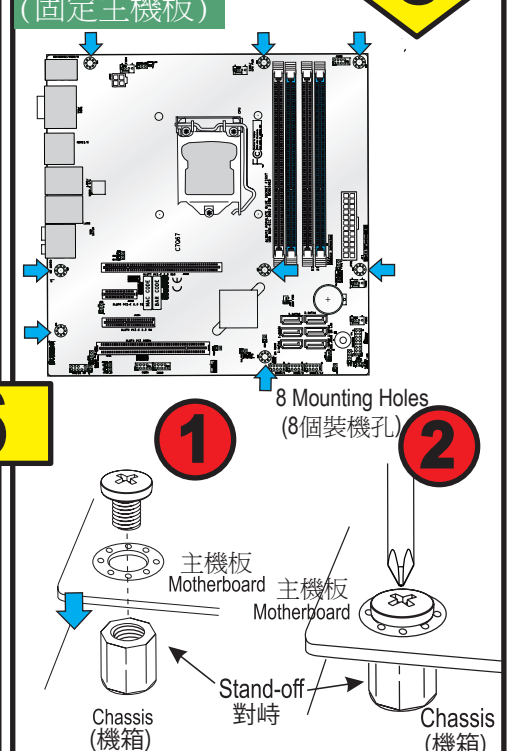
Install the I/O Shield & Motherboard (安裝後擋板及主機板)



Attach the Power Supply (連接電源供應器)



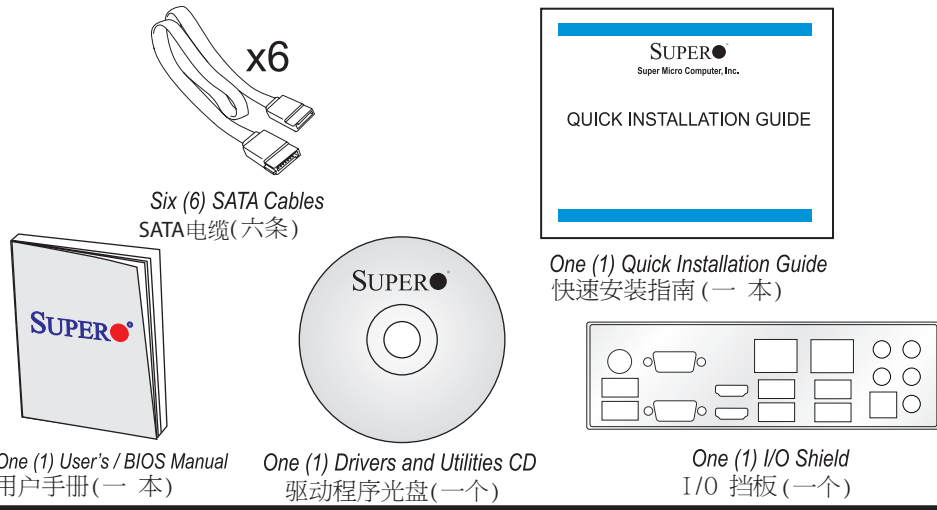
Mount the Motherboard (固定主機板)



7

6

Package Contents (包装内容)



Location of Jumpers, Slots, Connectors (跳线, 插槽和连接器位置)

Jumpers (跳针)

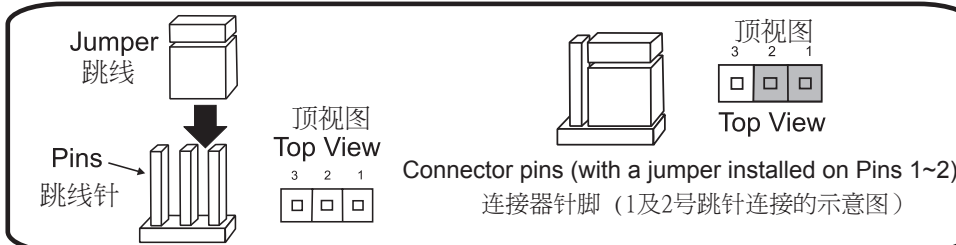
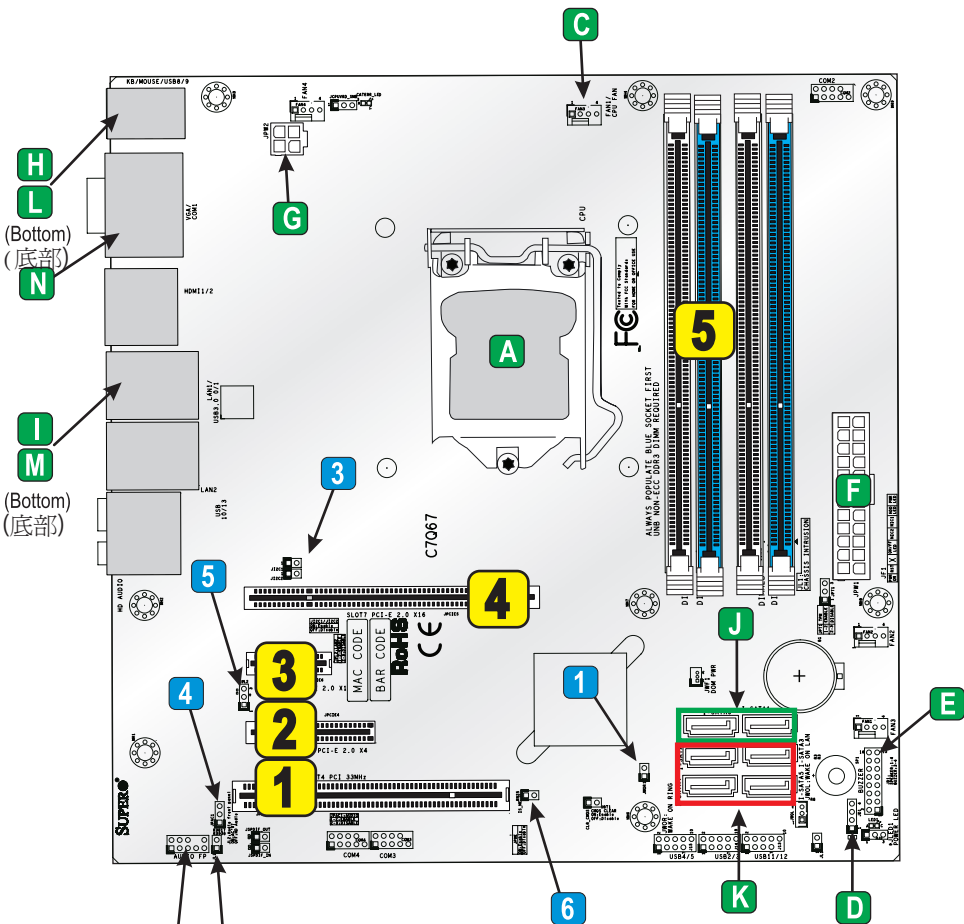
- 1 CMOS Clear (JBT1)
- 2 HD/Legacy Audio Select (JHD_AC1)
- 3 SMB to PCI Slots (JPC1/JPC2)
- 4 Audio Enable (JPAC1)
- 5 LAN2 Enable (JPL2)
- 6 Intel ME Mode Select (JPME1)

Slots (插槽)

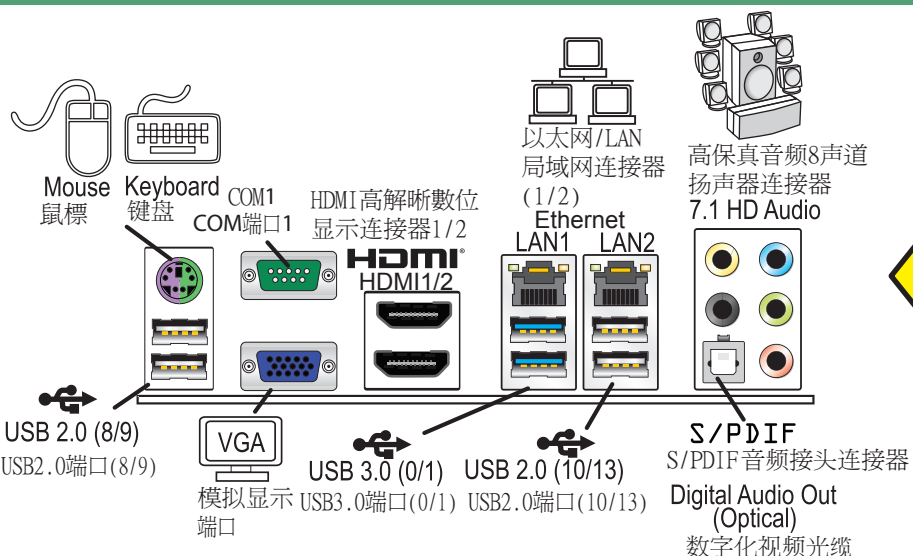
- 1 Slot 4 (33MHz)
- 2 Slot 5 (PCI-Express 2.0 x4)
- 3 Slot 6 (PCI-Express 2.0 x1)
- 4 Slot 7 (PCI-Express 2.0 x16)
- 5 DIMM1A Memory Slot (Blue)

Connectors (连接器)

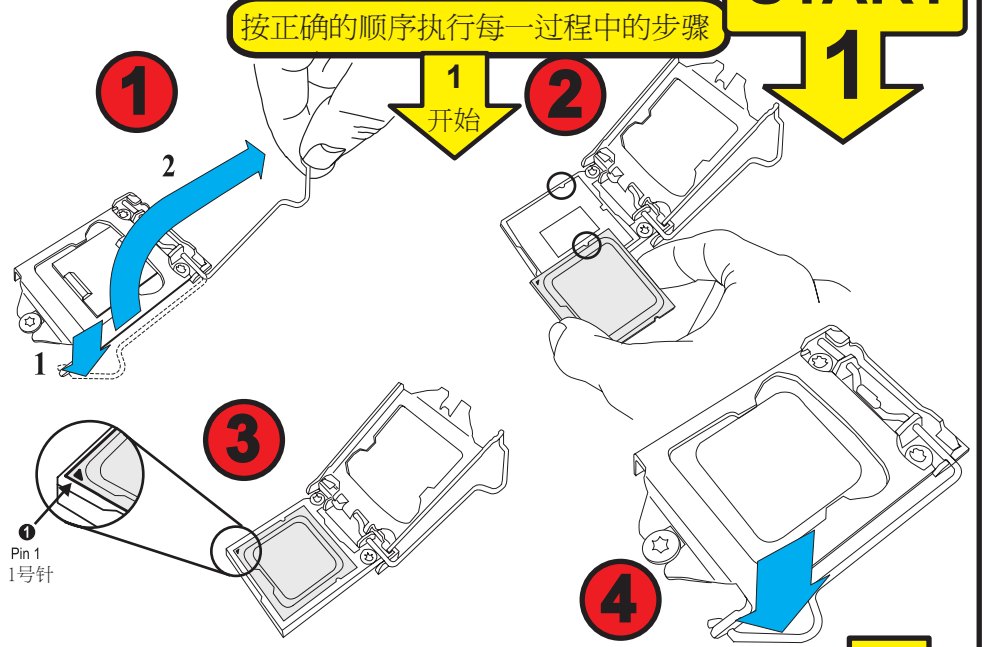
- A LGA 1155 CPU Socket (CPU)
- B Front Panel Audio Header (Audio_FP)
- C Fan1/CPU Fan (FAN1)
- D Buzzer/External Speaker (JD1)
- E Front Panel Control Header (JF1)
- F 24-Pin Power (JPW1)
- G 8-Pin Power (JPW2)
- H Keyboard/Mouse (KB/Mouse)
- I LAN Port#1 (LAN1)
- J SATA 3.0 Ports
- K SATA 2.0 Ports
- L USB 2.0 Ports 8/9
- M USB 3.0 Ports 0/1
- N VGA Port



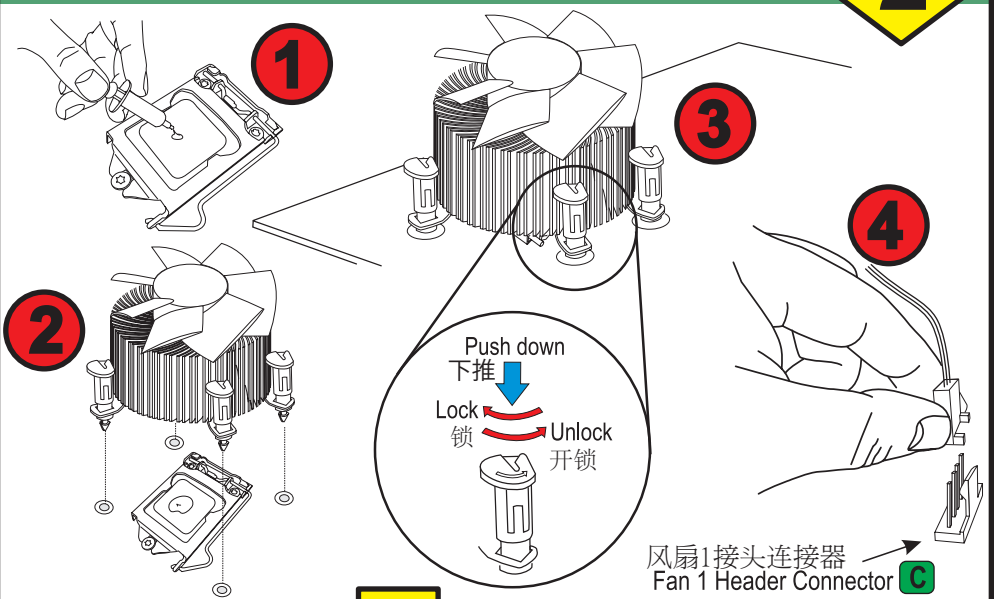
Locate the External I/O Ports (背板连接器位置示意图)



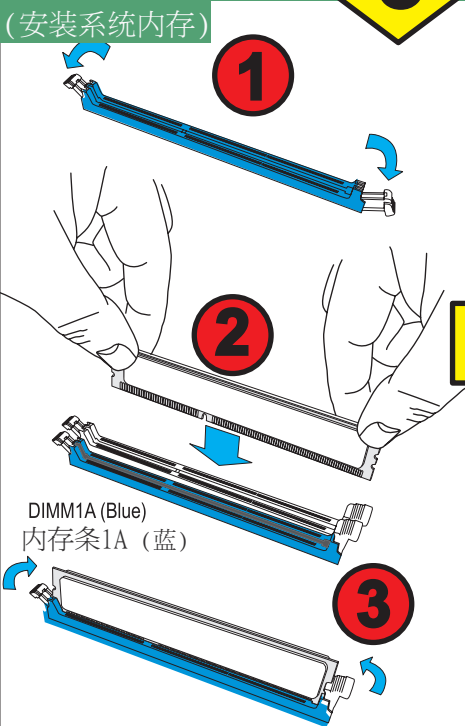
Install the Processor (安装处理器 - CPU)



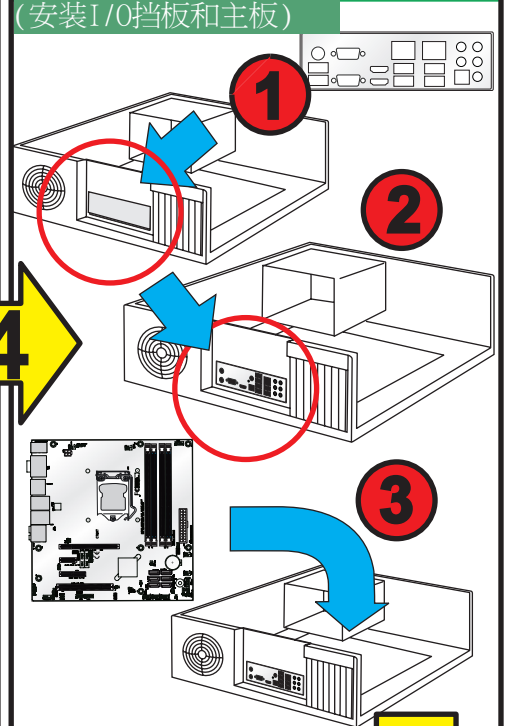
Install the Heatsink & Fan (安装处理器散热器和风扇)



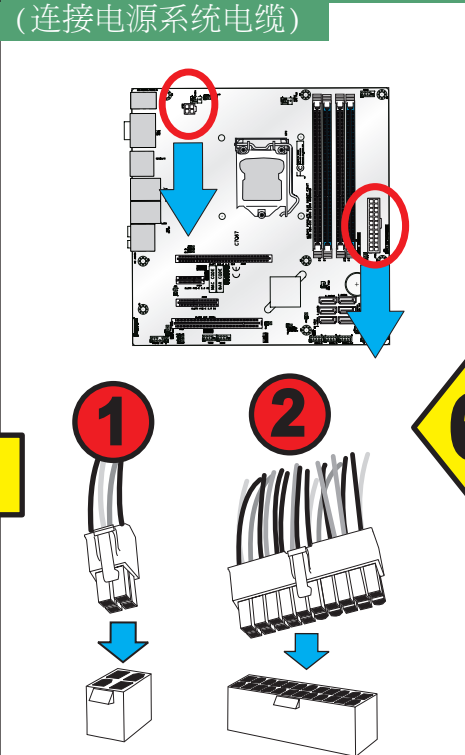
Install the Memory (安装系统内存)



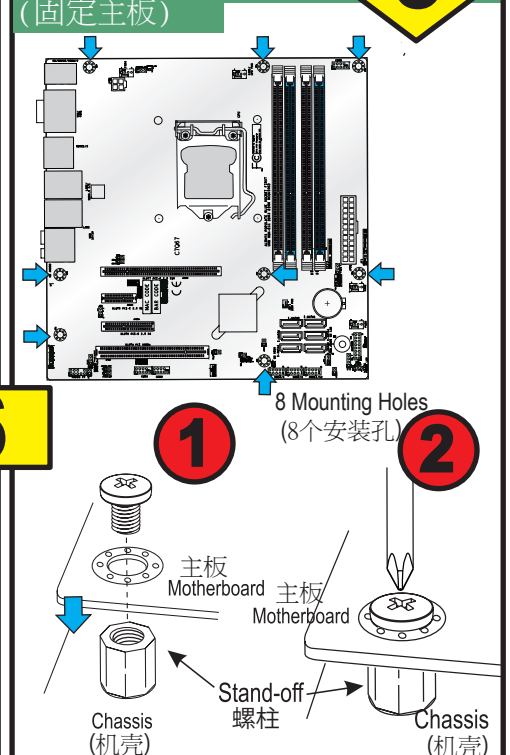
Install the I/O Shield & Motherboard (安装I/O挡板和主板)



Attach the Power Supply (连接电源系统电缆)



Mount the Motherboard (固定主板)



7

6

Server Safety Information

This document applies to Supermicro Server board, Supermicro Server Chassis (pedestal and rack-mount) and installed peripherals. To reduce the risk of bodily injury, electrical shock, fire, and equipment damage, read this document and observe all warnings and precautions in this guide before installing or maintaining your Supermicro server product.

In the event of a conflict between the information in this document and information provided with the product or on the website for a particular product, the product documentation takes precedence.

Your server should be integrated and serviced only by technically qualified persons.

You must adhere to the guidelines in this guide and the assembly instructions in your server manuals to ensure and maintain compliance with existing product certifications and approvals. Use only the described, regulated components specified in this guide. Use of other products / components will void the UL Listing and other regulatory approvals of the product, and may result in noncompliance with product regulations in the region(s) in which the product is sold.

Safety Warnings & Cautions

To avoid personal injury or property damage, before you begin installing the product, read, observe, and adhere to all of the following safety instructions and information. The following safety symbols may be used throughout the documentation and may be marked on the product and / or the product packaging.

CAUTION Indicates the presence of a hazard that may cause minor personal injury or property damage if the CAUTION is ignored.

WARNING Indicates the presence of a hazard that may result in serious personal injury if the WARNING is ignored.

 Indicates potential hazard if indicated information is ignored.

 Indicates shock hazards that result in serious injury or death if safety instructions are not followed.

 Indicates hot components or surfaces.

 Indicates do not touch fan blades, may result in injury.

 Indicates to unplug all AC power cord(s) to disconnect AC power

Intended Application Uses

This product was evaluated as Information Technology Equipment (ITE), which may be installed in offices, schools, computer rooms, and similar commercial type locations. The suitability of this product for other product categories and environments (such as medical, industrial, residential, alarm systems, and test equipment), other than an ITE application, may require further evaluation.

Site Selection

The system is designed to operate in a typical office environment. Choose a site that is:

- Clean, dry, and free of airborne particles (other than normal room dust).
 - Well-ventilated and away from sources of heat including direct sunlight and radiators.
 - Away from sources of vibration or physical shock.
 - Isolated from strong electromagnetic fields produced by electrical devices.
- In regions that are susceptible to electrical storms, we recommend you plug your system into a surge suppresser and disconnect telecommunication lines to your modem during an electrical storm.
- Provided with a properly grounded wall outlet.
 - Provided with sufficient space to access the power supply cord(s), because they serve as the product's main power disconnect.

Equipment Handling Practices

Reduce the risk of personal injury or equipment damage:

- Conform to local occupational health and safety requirements when moving and lifting equipment.
- Use mechanical assistance or other suitable assistance when moving and lifting equipment.
- To reduce the weight for easier handling, remove any easily detachable components.

Power and Electrical Warnings

  **CAUTION**

The power button, indicated by the stand-by power marking, DOES NOT completely turn off the system AC power, 5V standby power is active whenever the system is plugged in. To remove power from system, you must unplug the AC power cord from the wall outlet. Your system may use more than one AC power cord. Make sure all AC power cords are unplugged. Make sure the AC power cord(s) is/are unplugged before you open the chassis, or add or remove any non hot-plug components.

Do not attempt to modify or use an AC power cord if it is not the exact type required. A separate AC cord is required for each system power supply.

Some power supplies in Intel® Servers use Neutral Pole Fusing. To avoid risk of shock use caution when working with power supplies that use Neutral Pole Fusing.

The power supply in this product contains no user-serviceable parts. Do not open the power supply. Hazardous voltage, current and energy levels are present inside the power supply. Return to manufacturer for servicing.

When replacing a hot-plug power supply, unplug the power cord to the power supply being replaced before removing it from the server.

To avoid risk of electric shock, turn off the server and disconnect the power cord, telecommunications systems, networks, and modems attached to the server before opening it.

Power Cord Warnings

If an AC power cord was not provided with your product, purchase one that is approved for use in your country.

  **CAUTION**

To avoid electrical shock or fire, check the power cord(s) that will be used with the product as follows:

- Do not attempt to modify or use the AC power cord(s) if they are not the exact type required to fit into the grounded electrical outlets
- The power cord(s) must meet the following criteria:
 - The power cord must have an electrical rating that is greater than that of the electrical current rating marked on the product.
 - The power cord must have safety ground pin or contact that is suitable for the electrical outlet.
- The power supply cord(s) is/are the main disconnect device to AC power. The socket outlet(s) must be near the equipment and readily accessible for disconnection.
- The power supply cord(s) must be plugged into socket-outlet(s) that is /are provided with a suitable earth ground.

System Access Warnings

  **CAUTION**

To avoid personal injury or property damage, the following safety instructions apply whenever accessing the inside of the product:

- Turn off all peripheral devices connected to this product.
- Turn off the system by pressing the power button to off.
- Disconnect the AC power by unplugging all AC power cords from the system or wall outlet.
- Disconnect all cables and telecommunication lines that are connected to the system.
- Retain all screws or other fasteners when removing access cover(s). Upon completion of accessing inside the product, refasten access cover with original screws or fasteners.
- Do not access the inside of the power supply. There are no serviceable parts in the power supply. Return to manufacturer for servicing.
- Power down the server and disconnect all power cords before adding or replacing any non hot-plug component.
- When replacing a hot-plug power supply, unplug the power cord to the power supply being replaced before removing the power supply from the server.

  **CAUTION**

If the server has been running, any installed processor(s) and heat sink(s) may be hot. Unless you are adding or removing a hot-plug component, allow the system to cool before opening the covers. To avoid the possibility of coming into contact with hot component(s) during a hot-plug installation, be careful when removing or installing the hot-plug component(s).

  **CAUTION**

To avoid injury do not contact moving fan blades. If your system is supplied with a guard over the fan, do not operate the system without the fan guard in place.

Electrostatic Discharge (ESD)

  **CAUTION**

ESD can damage disk drives, boards, and other parts. We recommend that you perform all procedures at an ESD workstation. If one is not available, provide some ESD protection by wearing an antistatic wrist strap attached to chassis ground -- any unpainted metal surface -- on your server when handling parts.

Always handle boards carefully. They can be extremely sensitive to ESD. Hold boards only by their edges. After removing a board from its protective wrapper or from the server, place the board component side up on a grounded, static free surface. Use a conductive foam pad if available but not the board wrapper. Do not slide board over any surface.

Other Hazards

Battery Replacement

 **CAUTION**

There is the danger of explosion if the battery is incorrectly replaced. When replacing the battery, use only the battery recommended by the equipment manufacturer.

- Dispose of batteries according to local ordinances and regulations.
- Do not attempt to recharge a battery.
- Do not attempt to disassemble, puncture, or otherwise damage a battery.



廢電池請回收

For better environmental protection, waste batteries should be collected separately for recycling special disposal.

Cooling and Airflow

 **CAUTION**

Carefully route cables as directed to minimize airflow blockage and cooling problems. For proper cooling and airflow, operate the system only with the chassis covers installed. Operating the system without the covers in place can damage system parts. To install the covers:

1. Check first to make sure you have not left loose tools or parts inside the system.
2. Check that cables, add-in boards, and other components are properly installed.
3. Attach the covers to the chassis according to the product instructions.

Laser Peripherals or Devices

 **CAUTION**

To avoid risk of radiation exposure and/or personal injury:

- Do not open the enclosure of any laser peripheral or device.
- Laser peripherals or devices have are not user serviceable.
- Return to manufacturer for servicing.

伺服器安全資訊

本文檔適用於 Supermicro 伺服器主板、Supermicro 伺服器機箱（基座和機架固定件）和已安裝的外設。為減少人身傷害、電擊、火災以及設備毀壞的危險，請在安裝或維護 Supermicro 伺服器產品之前閱讀本文檔並遵循本指南中的所有警告和預防措施。

如果本文檔中的資訊與特定產品的隨附資訊或 Web 站點資訊之間存在不一致，請以產品文檔為準。

伺服器須由合格的技術人員進行集成和維護。


必須遵守本指南的規定和伺服器手冊的裝配指導，以確保符合現有的產品認證和審批。僅使用本指南中描述和規定的指定元件。使用其他產品/元件將使產品的 UL 認證和其他管理審批無效，並可能導致產品不符合銷售地的產品法規。


安全警告與注意事項


為避免人身傷害與財產損失，安裝本產品之前，請閱讀以下所有安全指導和資訊。下面所列的安全符號可能在整個文檔中使用並可能標注於產品和/或產品包裝之上。

注意 表示如果無視此“注意事項”，存在可能引起輕微人身傷害或財產損失的危險。

警告 表示如果無視此“警告”，存在可能引起嚴重人身傷害的危險。

 表示如果無視所示資訊，即存在潛在的危險。

 表示如果不遵守安全指導，存在可導致嚴重傷害或死亡的電擊危險。

 表示灼熱元件或表面。

 表示請勿觸摸風機葉片，否則可能致傷。

 表示拔下所有交流電線，斷開交流電源。

預期應用使用

根據評估，本產品為資訊技術設備 (ITE)，可安裝在辦公室、學校、電腦房和類似的商業場所。本產品對於非 ITE 應用的其他產品種類和環境（如醫療、工業、住宅、報警系統和測試設備）的適用性尚有待進一步的評估。

場地選擇

本系統專為在典型辦公環境運行而設計。請選擇符合以下條件的地點：

- 清潔、乾燥，無氣載微粒（而非一般的室內塵埃）。
- 通風良好，遠離熱源（包括直接日曬和散熱器）。
- 遠離振動源或物理震動。
- 與電氣設備產生的強大電磁場隔離。
- 在易受閃電襲擊的地區，我們建議將系統插入電湧抑制器並在閃電期間斷開通信線路與數據機之間的連接。
- 提供正確接地的牆壁插座。
- 提供足夠的空間，以便拿取電源供應線，因為這是本產品的主要電源斷開器。

設備操作規範

減少人身傷害或設備受損的危險：

- 移舉設備時遵守當地的職業健康與安全要求。
- 借助機械手段或其他合適的手段移舉設備。
- 拆除一切易分離元件，以降低重量並方便操作。

電源與電氣警告

注意事項

電源按鈕（如待機電源標記所示）並不能完全關閉系統的交流電源，只要系統已接通電源，就存在 5V 待機電源。要從系統切斷電源，須從牆壁電源插座中拔下交流電線。您的系統可能不止使用一根交流電線。請確保所有的交流電線都已拔下。打開機箱或增加或去除任何熱插拔元件之前，確保交流電線已拔下。

若非所需的確切類型，請勿嘗試修改或使用交流電線。系統的每個電源供應設備都需要一根單獨的交流電線。

一些電源在英代爾伺服器裏使用中熔化。避免震動風險當心當工作與使用中熔化的電源。

本產品的電源供應設備包含非用戶維修部件。請勿打開電源供應設備。電源供應設備包含非常危險的電壓級、電流級和能量級。請與生產商聯繫維修事宜。

替換熱插拔電源供應設備時，請先拔下需替換的電源供應設備上的電源線，再將其從伺服器上移除。

為避免電擊，請在打開伺服器之前，關閉伺服器並斷開伺服器上連接的電源線、電信系統、網路和數據機。

電源線警告

如果產品未提供交流電線，請購買一根您所在國家批准使用的交流電線。

注意事項

為避免電擊或火災危險，請按如下所述對產品所用的電源線進行檢查：

- 若非所需的符合接地插座的確切類型，請勿嘗試修改或使用交流電線
- 電源線須符合以下標準：
電源線的電氣額定值須大於產品上標注的電流額定值。
電源線須擁有適合插座的安全接地插頭或觸點。
- 電源線為交流電源的主要斷開設備。插座須靠近設備並可隨時斷開。
- 電源線須插入所提供的擁有合適接地的插座。

系統使用警告

注意事項

為避免人身傷害或財產損失，無論何時檢查產品內部，以下安全指導都適用：

- 關閉所有與本產品相連的外設。
- 按下電源按鈕至關閉狀態，關閉系統。
- 從系統或牆壁插座上拔下所有交流電線，斷開交流電源。
- 斷開與系統相連的所有線纜和通信線路。
- 卸除艙口蓋時，保留所有螺釘及其他緊固件。完成產品內部檢查之後，請用螺釘或緊固件重新固定艙口蓋。
- 請勿打開電源供應設備。電源供應設備內沒有可維修部件。請與生產商聯繫維修事宜。
- 增加或替換任何非熱插拔元件之前，請關閉伺服器電源並斷開所有電源線。
- 替換熱插拔電源供應設備時，請先拔下需替換的電源供應設備上的電源線，然後再從伺服器上移除電源供應設備。

注意事項

如果伺服器一直在運行，任何已安裝的處理器和吸熱設備都可能很熱。除非要增加或移除熱插拔元件，否則請待系統冷卻後再開蓋。為避免在熱插拔元件安裝過程中接觸灼熱元件，移除或安裝熱插拔元件時務須小心。

注意事項

為避免受傷，請勿觸摸運轉的風機葉片。如果系統的風機上配有防護裝置，請勿卸下風機防護裝置運行系統。

靜電放電(ESD)

注意事項

ESD 會損壞磁碟機、主板及其他部件。我們建議您執行 ESD 工作站的所有步驟。如果沒有 ESD 工作站，則採取一些靜電放電保護措施，操作部件時，戴上與伺服器上的機箱接地或任何未噴漆金屬表面連接的防靜電腕帶。

操作主板時始終保持小心。它們可能對 ESD 非常敏感。拿持主板時只接觸邊緣。從保護包裝中或從伺服器上取出主板後，請將主板元件側面朝上放置在無靜電的接地表面上。請使用導電泡沫墊（若有），不要使用主板包裝。請勿將主板在任何表面上滑動。


其他危險

替換電池

注意事項

不正確替換電池可能導致爆炸危險。替換電池時，請只使用設備生產商推薦使用的電池。請按當地法規處置電池。

請勿對電池充電。
請勿拆卸、刺穿或以其他方式損壞電池。

 廢電池請回收
For better environmental protection, used batteries should be collected separately for recycling and proper disposal.

冷卻和氣流

注意事項

按照說明小心佈置線纜，儘量減少氣流阻塞和冷卻問題。為保證適當的冷卻和氣流，運行系統時請確保機箱蓋已安裝。未安裝機箱蓋即運行系統可能導致系統部件受損。安裝機箱蓋的步驟如下：

1. 首先檢查並確保系統內沒有遺留的未固定工具或部件。
2. 檢查線纜、內插板和其他元件已正確安裝。
3. 按產品說明安裝機箱蓋。

鐳射外設或鐳射設備

注意事項





為避免輻射暴露和 / 或人身傷害：

- 請勿打開任何鐳射外設或鐳射設備的外殼
- 鐳射外設或鐳射設備為非用戶維修設備
- 請與生產商聯繫維修事宜

Regulatory compliance notices

<p>FCC Radio Frequency Interference Statement</p>	<p>This equipment has been tested and found to comply with the limits for a Class A digital device, pursuant to Part 15 of the FCC Rules. These limits are designed to provide reasonable protection against harmful interference when the equipment is operated in a commercial environment. This equipment generates, uses, and can radiate radio frequency energy and, if not installed and used in accordance with the instructions, may cause harmful interference to radio communications. Operation of this equipment in a residential area is likely to cause harmful interference, in which case the user will be required to correct the interference at personal expense.</p> <p>This equipment has been tested and found to comply with the limits for a Class B digital device, pursuant to Part 15 of the FCC Rules. These limits are designed to provide reasonable protection against harmful interference in a residential installation. This equipment generates, uses and can radiate radio frequency energy and, if not installed and used in accordance with the instructions, may cause harmful interference to radio communications. However, there is no guarantee that interference will not occur in a particular installation. If this equipment does cause harmful interference to radio or television reception, which can be determined by turning the equipment off and on, the user is encouraged to try to correct the interference by one or more of the measures listed below.</p> <ul style="list-style-type: none"> • Reorient or relocate the receiving antenna. • Increase the distance between the equipment and receiver. • Connect the equipment to an outlet on a circuit different from that to which the receiver is connected. • Consult the dealer or an experienced radio/TV technician for help. <p>Changes or modifications not expressly approved by the mainboard manufacturer could void the user's authority to operate this equipment. To ensure compliance the subject device must use shielded interface cables.</p>
<p>Modifications</p>	<p>The FCC requires the user to be notified that any changes or modifications made to this device that are not expressly approved by Super Micro Computer, Inc Company may void the user's authority to operate the equipment.</p>
<p>Cables</p>	<p>Connections to this device must be made with shielded cables with metallic RFI/EMI connector hoods in order to maintain compliance with FCC Rules and Regulations.</p>
<p>Canadian notice ICES-003</p>	<p>This Class A digital apparatus meets all requirements of the Canadian Interference-Causing Equipment Regulations. Cet appareil numérique de la classe A respecte toutes les exigences du Règlement sur le matériel brouilleur du Canada.</p> <p>This Class B digital apparatus meets all requirements of the Canadian Interference-Causing Equipment Regulations. Cet appareil numérique de la classe B respecte toutes les exigences du Règlement sur le matériel brouilleur du Canada.</p>

Regulatory compliance notices

<p>European Union notice</p> 	<p>This product complies with the following EU Directives: Low Voltage Directive 2006/95/EC EMC Directive 2004/108/EC</p> <p>Compliance with these directives implies conformity to applicable harmonized European standards (European Norms) which are listed on the EU Declaration of Conformity issued by Super Micro Computer, Inc for this product or product family. This compliance is indicated by the following conformity marking placed on the product:</p> 
<p>Chinese notice</p>	<p>声明 此为 A 级产品, 在生活环境中, 该产品可能会造成无线电干扰。在这种情况下, 可能需要用户对其干扰采取可行的措施。</p>
<p>BSMI notice</p>	<p>警告使用者: 這是甲類的資訊產品, 在居住的環境中使用時, 可能會造成射頻干擾, 在這種情況下, 使用者會被要求採取某些適當的對策。</p>
<p>D36199</p>	
<p>Japanese notice</p> 	<p>This is a Class A product. In a domestic environment this product may cause radio interference, in which case the user may be required to take corrective actions. VCCI-A</p> <div style="border: 1px solid black; padding: 5px; margin: 10px 0;"> <p>この装置は、クラス A 情報技術装置です。この装置を家庭環境で使用すると電波妨害を引き起こすことがあります。この場合には使用者が適切な対策を講ずるよう要求されることがあります。 VCCI-A</p> </div> <p>This is a product for which interference was measured and confirmed to comply at the present installation site. When this equipment is used at any other location, interference must be measured at the new location for compliance.</p> <div style="border: 1px solid black; padding: 5px; margin: 10px 0;"> <p>この装置は、現在設置されている場所で妨害波の測定がされた情報技術装置です。この場所以外で使用する場合は、その場所で、再び妨害波の測定が必要となります。 </p> </div>

服务器安全信息

本文档适用于 Supermicro 服务器主板、Supermicro 服务器机箱（基座和机架固定件）和已安装的外设。为减少人身伤害、电击、火灾以及设备损坏的危险，请在安装或维护 Supermicro 服务器产品之前阅读本文档并遵循本指南中的所有警告和预防措施。

如果本文档中的信息与特定产品的随附信息或 Web 站点信息之间存在不一致，请以产品文档为准。

服务器须由合格的技术人员进行集成和维护。

必须遵守本指南的规定和服务器手册的装配指导，以确保符合现有的产品认证和审批。仅使用本指南中描述和规定的指定组件。使用其他产品 / 组件将使产品的 UL 认证和其他管理审批无效，并可能导致产品不符合销售地的产品法规。


安全警告与注意事项

为避免人身伤害与财产损失，安装本产品之前，请阅读以下所有安全指导和信息。下面所列的安全符号可能在整个文档中使用并可能标注于产品和/或产品包装之上。

注意 表示如果无视此“注意事项”，存在可能引起轻微人身伤害或 财产损失的危险。


警告 表示如果无视此“警告”，存在可能引起严重人身伤害的危险。

 表示如果无视所示信息，即存在潜在的危險。

 表示如果不遵守安全指导，存在可导致严重伤害或死亡的电击危险。

 表示灼热组件或表面。

 表示请勿触摸风机叶片，否则可能致伤。

 表示拔下所有交流电线，断开交流电源。

预期应用使用

根据评估，本产品为信息技术设备（ITE），可安装在办公室、学校、计算机房和类似的商业场所。本产品对于非 ITE 应用的其他产品种类和环境（如医疗、工业、住宅、报警系统和测试设备）的适用性尚有待进一步的评估。

场地选择

本系统专为在典型办公环境运行而设计。请选择符合以下条件的地点：

- 清洁、干燥，无气载微粒（而非一般的室内尘埃）。
- 通风良好，远离热源（包括直接日晒和散热器）。
- 远离振动源或物理震动。
- 与电气设备产生的强大电磁场隔离。
- 在易受闪电袭击的地区，我们建议将系统插入电涌抑制器并在闪电期间断开通信线路与调制解调器之间的连接。
- 提供正确接地的墙壁插座。
- 提供足够的空间，以便拿取电源供应线，因为这是本产品的主要电源断开器。

设备操作规范

减少人身伤害或设备受损的危险：

- 移举设备时遵守当地的职业健康与安全要求。
- 借助机械手段或其他合适的手段移举设备。
- 拆除一切易分离组件，以降低重量并方便操作。

电源与电气警告

⚠️ 注意事项
电源按钮（如待机电源标记所示）并不能完全关闭系统的交流电源，只要系统已接通电源，就存在 5V 待机电源。要从系统切断电源，须从墙壁电源插座中拔下交流电线。您的系统可能不止使用一根交流电线。请确保所有的交流电线都已拔下。打开机箱或增加或去除任何热插拔组件之前，确保交流电线已拔下。

若非所需的确切类型，请勿尝试修改或使用交流电线。系统的每个电源供应设备都需要一根单独的交流电线。

一些电源在英特尔服务器里使用中立波兰人熔化的电源。避免震动风险当心工作与使用中立波兰人熔化的电源。

本产品的电源供应设备包含非用户维修部件。请勿打开电源供应设备。电源供应设备包含非常危险的电压级、电流级和能量级。请与生产商联系维修事宜。

替换热插拔电源供应设备时，请先拔下需替换的电源供应设备上的电源线，再将其从服务器上移除。

为避免电击，请在打开服务器之前，关闭服务器并断开服务器上连接的电源线、电信系统、网络 and 调制解调器。

电源线警告

如果产品未提供交流电线，请购买一根您所在国家批准使用的交流电线。

⚠️ 注意事项

为避免电击或火灾危险，请按如下所述对产品所用的电源线进行检查：

- 若非所需的符合接地插座的确切类型，请勿尝试修改或使用交流电线
- 电源线须符合以下标准：
电源线的电气额定值须大于产品上标注的电流额定值。
电源线须拥有适合插座的安全接地插头或触点。
- 电源线为交流电源的主要断开设备。插座须靠近设备并可随时断开。
- 电源线须插入所提供的拥有合适接地的插座。

系统使用警告

⚠️ 注意事项

为避免人身伤害或财产损失，无论何时检查产品内部，以下安全指导都适用：

- 关闭所有与本产品相连的外设。
- 按下电源按钮至关闭状态，关闭系统。
- 从系统或墙壁插座上拔下所有交流电线，断开交流电源。
- 断开与系统相连的所有线缆和通信线路。
- 卸除舱口盖时，保留所有螺钉及其他紧固件。完成产品内部检查之后，请用螺钉或紧固件重新固定舱口盖。
- 请勿打开电源供应设备。电源供应设备内没有可维修部件。请与生产商联系维修事宜。
- 增加或替换任何非热插拔组件之前，请关闭服务器电源并断开所有电源线。
- 替换热插拔电源供应设备时，请先拔下需替换的电源供应设备上的电源线，然后再从服务器上移除电源供应设备。

⚠️ 注意事项

如果服务器一直在运行，任何已安装的处理器和吸热设备都可能很热。除非要增加或移除热插拔组件，否则请待系统冷却后再开盖。为避免在热插拔组件安装过程中接触灼热组件，移除或安装热插拔组件时务须小心。

⚠️ 注意事项

为避免受伤，请勿触摸运转的风机叶片。如果系统的风机上配有防护装置，请勿卸下风机防护装置运行系统。

静电放电（ESD）

⚠️ 注意事项

ESD 会损坏磁盘驱动器、主板及其他部件。我们建议您执行 ESD 工作站的所有步骤。如果没有 ESD 工作站，则采取一些静电放电保护措施，操作部件时，戴上与服务器上的机箱接地或任何未喷漆金属表面连接的防静电腕带。

操作主板时始终保持小心。它们可能对 ESD 非常敏感。拿持主板时只接触边缘。从保护包装中或从服务器上取出主板后，请将主板组件侧面朝上放置于无静电的接地表面上。请使用导电泡沫垫（若有），不要使用主板包装。请勿将主板在任何表面上滑动。

其他危险

替换电池

⚠️ 注意事项
不正确替换电池可能导致爆炸危险。替换电池时，请只使用设备生产商推荐使用的电池。请按当地法规处置电池。

请勿对电池充电。
请勿拆卸、刺穿或以其他方式损坏电池。

 **废电池请回收**
For better environmental protection, used batteries should be collected separately for recycling and proper disposal.

冷却和气流

⚠️ 注意事项
按照说明小心布置线缆，尽量减少气流阻塞和冷却问题。为保证适当的冷却和气流，运行系统时请确保机箱盖已安装。未安装机箱盖即运行系统可能导致系统部件受损。安装机箱盖的步骤如下：
1. 首先检查并确保系统内没有遗留的未固定工具或部件。
2. 检查线缆、内插板和其他组件已正确安装。
3. 按产品说明安装机箱盖。

激光外设或激光设备

⚠️ 注意事项
为避免幅射暴露和 / 或人身伤害：
• 请勿打开任何激光外设或激光设备的外壳
• 激光外设或激光设备为非用户维修设备
• 请与生产商联系维修事宜

限用物質含有情況標示聲明書

Declaration of the Presence Condition of the Restricted Substances Marking

設備名稱：主機板 / Motherboard Equipment name		型號（型式）：C7Q67 Type designation (Type)				
單元 Unit	限用物質及其化學符號 Restricted substances and its chemical symbols					
	鉛Lead (Pb)	汞Mercury (Hg)	鎘Cadmium (Cd)	六價鉻 Hexavalent chromium (Cr ⁺⁶)	多溴聯苯 Polybrominated biphenyls (PBB)	多溴二苯醚 Polybrominated diphenyl ethers (PBDE)
主機板 (Motherboard)	—	○	○	○	○	○
<p>備考1. “超出0.1 wt %” 及 “超出0.01 wt %” 係指限用物質之百分比含量超出百分比含量基準值。</p> <p>Note 1 : “Exceeding 0.1 wt %” and “exceeding 0.01 wt %” indicate that the percentage content of the restricted substance exceeds the reference percentage value of presence condition.</p> <p>備考2. “○” 係指該項限用物質之百分比含量未超出百分比含量基準值。</p> <p>Note 2 : “○” indicates that the percentage content of the restricted substance does not exceed the percentage of reference value of presence.</p> <p>備考3. “—” 係指該項限用物質為排除項目。</p> <p>Note 3 : The “—” indicates that the restricted substance corresponds to the exemption.</p>						