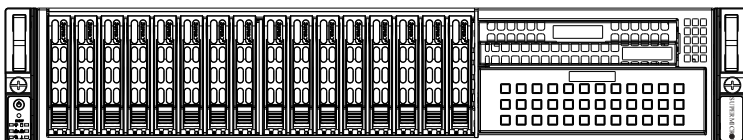


# SUPERO<sup>®</sup>

## SC219 Chassis Series



SC219A-R920UB

SC219A-R920LPB

SC219A-R920WB

## USER'S MANUAL

1.0

The information in this User's Manual has been carefully reviewed and is believed to be accurate. The vendor assumes no responsibility for any inaccuracies that may be contained in this document, makes no commitment to update or to keep current the information in this manual, or to notify any person or organization of the updates. **Please Note: For the most up-to-date version of this manual, please see our web site at [www.supermicro.com](http://www.supermicro.com).**

Super Micro Computer, Inc. ("Supermicro") reserves the right to make changes to the product described in this manual at any time and without notice. This product, including software and documentation, is the property of Supermicro and/or its licensors, and is supplied only under a license. Any use or reproduction of this product is not allowed, except as expressly permitted by the terms of said license.

IN NO EVENT WILL SUPERMICRO BE LIABLE FOR DIRECT, INDIRECT, SPECIAL, INCIDENTAL, SPECULATIVE OR CONSEQUENTIAL DAMAGES ARISING FROM THE USE OR INABILITY TO USE THIS PRODUCT OR DOCUMENTATION, EVEN IF ADVISED OF THE POSSIBILITY OF SUCH DAMAGES. IN PARTICULAR, SUPERMICRO SHALL NOT HAVE LIABILITY FOR ANY HARDWARE, SOFTWARE, OR DATA STORED OR USED WITH THE PRODUCT, INCLUDING THE COSTS OF REPAIRING, REPLACING, INTEGRATING, INSTALLING OR RECOVERING SUCH HARDWARE, SOFTWARE, OR DATA.

Any disputes arising between manufacturer and customer shall be governed by the laws of Santa Clara County in the State of California, USA. The State of California, County of Santa Clara shall be the exclusive venue for the resolution of any such disputes. Super Micro's total liability for all claims will not exceed the price paid for the hardware product.

California Best Management Practices Regulations for Perchlorate Materials: This Perchlorate warning applies only to products containing CR (Manganese Dioxide) Lithium coin cells. "Perchlorate Material-special handling may apply. See [www.dtsc.ca.gov/hazardouswaste/perchlorate](http://www.dtsc.ca.gov/hazardouswaste/perchlorate)"

---

**WARNING: Handling of lead solder materials used in this product may expose you to lead, a chemical known to the State of California to cause birth defects and other reproductive harm.**

---

Manual Revision 1.0  
Release Date: June 6, 2012

Unless you request and receive written permission from Super Micro Computer, Inc., you may not copy any part of this document.

Information in this document is subject to change without notice. Other products and companies referred to herein are trademarks or registered trademarks of their respective companies or mark holders.

Copyright © 2012 by Super Micro Computer, Inc.  
All rights reserved.

**Printed in the United States of America**

---

## Preface

This manual is written for professional system integrators and PC technicians. It provides information for the installation and use of the SC219 chassis. Installation and maintenance should be performed by experienced technicians only.

Supermicro's SC219 chassis features a unique and highly optimized 2U server design which provides optimal use of space, without compromising cooling. The SC219 chassis is equipped with sixteen drive bays which support hot-swappable SAS/SATA hard drives, one 5.25" drive bay and two slim peripheral drive bays. The SC219 comes equipped with redundant 920 Watt power supplies for superb power savings. The chassis provides maximum features in a 2U form factor.

This document lists compatible parts and configurations available when this document was published. Always refer to our Web site for updates on supported parts and configurations at <http://www.supermicro.com>

## **Manual Organization**

### **Chapter 1 Introduction**

The introduction provides a list of the main components included with this chassis and describes the primary features of the SC219 chassis. This chapter also includes contact information.

### **Chapter 2 System Safety**

Chapter 2 lists warnings, precautions, and system safety. You should thoroughly familiarize yourself with this chapter for a general overview of safety precautions that should be followed before installing and servicing the SC219 chassis.

### **Chapter 3 System Interface**

This chapter provides details on the system interface, which includes the functions and information provided by the control panel LEDs on the chassis, and by other LEDs located throughout the system.

### **Chapter 4 Chassis Setup and Maintenance**

Refer to this chapter for detailed information on the chassis. Follow the procedures given in this chapter when installing, removing, or reconfiguring your chassis.

### **Chapter 5 Rack Installation**

Refer to this chapter for detailed information on chassis rack installation. You should follow the procedures given in this chapter when installing, removing or reconfiguring your chassis into a rack environment.

### **Appendix A**

This section references cables, which are compatible with your SC219 system. Refer to our Web site for additional information on cabling at [www.supermicro.com](http://www.supermicro.com).

### **Appendix B**

This chapter lists supported power supply information for your SC219 system. Refer to our Web site for additional details at [www.supermicro.com](http://www.supermicro.com).

## **Appendix C**

This section provides detailed information on the SAS-213A backplane. Additional information can be found on our Web site, at [www.supermicro.com](http://www.supermicro.com)

# Table of Contents

Manual Organization .....	iv
<b>Chapter 1 Introduction</b>	
1-1 Overview .....	1-1
1-2 Shipping List.....	1-1
1-3 Contacting Supermicro.....	1-2
1-4 Returning Merchandise for Service.....	1-3
<b>Chapter 2 System Safety</b>	
2-1 Overview .....	2-1
2-2 Warnings and Precautions .....	2-1
2-3 Preparing for Setup.....	2-1
2-4 Electrical Safety Precautions .....	2-2
2-5 General Safety Precautions .....	2-3
2-6 System Safety .....	2-3
<b>Chapter 3 System Interface</b>	
3-1 Overview .....	3-1
3-2 Control Panel Buttons .....	3-2
3-3 Control Panel LEDs .....	3-2
3-4 Drive Carrier LEDs.....	3-4
<b>Chapter 4 Chassis Setup and Maintenance</b>	
4-1 Overview .....	4-1
4-2 Installation and General Maintenance .....	4-1
Installation Topics.....	4-1
4-3 Removing the Chassis Cover .....	4-2
4-4 Installing Hard Drives.....	4-3
4-5 Installing the I/O Shield (LP Version Only) .....	4-5
I/O Shield (LP Version Only).....	4-5
4-6 Installing Chassis Standoffs.....	4-6
Permanent and Optional Standoffs.....	4-6
4-7 Installing the Motherboard .....	4-7
4-8 Installing the Riser and Expansion Cards.....	4-9
4-9 Installing the Air Shroud.....	4-11
Installing the Air Shroud in the Chassis.....	4-11
4-10 Checking the Airflow .....	4-12
Installation Complete.....	4-12
4-11 System Fans .....	4-13
4-12 Power Supply .....	4-15

---

4-13	Power Distributor.....	4-16
4-14	Removing the Backplane.....	4-17
4-15	Installing the Backplane.....	4-19

### **Chapter 5 Rack Installation**

5-1	Overview.....	5-1
5-2	Unpacking the System.....	5-1
5-3	Preparing for Setup.....	5-1
	Choosing a Setup Location.....	5-1
5-4	Warnings and Precautions.....	5-2
	Rack Precautions.....	5-2
	General Server Precautions.....	5-2
5-5	Rack Mounting Considerations.....	5-3
	Ambient Operating Temperature.....	5-3
	Reduced Airflow.....	5-3
	Mechanical Loading.....	5-3
	Circuit Overloading.....	5-3
	Reliable Ground.....	5-3
5-6	Rack Mounting Instructions.....	5-4
	Identifying the Sections of the Rack Rails.....	5-4
	Locking Tabs.....	5-5
	Releasing the Inner Rail.....	5-5
	Installing The Inner Rails on the Chassis.....	5-6
	Installing the Outer Rails on the Rack.....	5-7
	Standard Chassis Installation.....	5-8
	Optional Quick Installation Method.....	5-9

### **Appendix A SC219 Chassis Cables**

### **Appendix B SC219 Power Supply Specifications**

### **Appendix C SAS-213A Backplane Specifications**

## Notes



# Chapter 1

## Introduction

### 1-1 Overview

Supermicro's SC219 chassis provides sixteen hot-swappable 2.5" SAS/SATA hard drive bays, one 5.25" hard drive and two peripheral drive bays in an efficient 2U form factor, designed for the most frequently encountered applications. The chassis is also equipped with a redundant 920W Platinum Level (94%+) power supply for superb power savings and optimized cooling.

### 1-2 Shipping List

Please visit the following link for the latest shipping lists and part numbers for your particular chassis model. <http://www.supermicro.com/products/chassis/2U/?chs=219>

SC219				
Model	CPU	HDD	I/O Slots	Power Supply
SC219A-R920UB	DP/UP	16x SAS/SATA	4x FH, 2x LP	920W (94%+ Platinum) Redundant
SC219A-R920LPB	DP/UP	16x SAS/SATA	7x LP	920W (94%+ Platinum) Redundant
SC219A-R920WB	DP/UP	16x SAS/SATA	4x FH, 3x LP	920W (94%+ Platinum) Redundant

Legend:

UP = Single processor support

DP = Dual processor support

FH = Full-height, half-length

LP = Low-profile

## Contacting Supermicro

### Headquarters

Address: Super Micro Computer, Inc.  
980 Rock Ave.  
San Jose, CA 95131 U.S.A.

Tel: +1 (408) 503-8000

Fax: +1 (408) 503-8008

Email: [marketing@supermicro.com](mailto:marketing@supermicro.com) (General Information)  
[support@supermicro.com](mailto:support@supermicro.com) (Technical Support)

Web Site: [www.supermicro.com](http://www.supermicro.com)

### Europe

Address: Super Micro Computer B.V.  
Het Sterrenbeeld 28, 5215 ML  
's-Hertogenbosch, The Netherlands

Tel: +31 (0) 73-6400390

Fax: +31 (0) 73-6416525

Email: [sales@supermicro.nl](mailto:sales@supermicro.nl) (General Information)  
[support@supermicro.nl](mailto:support@supermicro.nl) (Technical Support)  
[rma@supermicro.nl](mailto:rma@supermicro.nl) (Customer Support)

### Asia-Pacific

Address: Super Micro Computer, Inc.  
4F, No. 232-1, Liancheng Rd.  
Chung-Ho Dist., New Taipei City 235  
Taiwan

Tel: +886-(2) 8226-5990

Fax: +886-(2) 8226-3991

Web Site: [www.supermicro.com.tw](http://www.supermicro.com.tw)

Technical Support:

Email: [support@supermicro.com.tw](mailto:support@supermicro.com.tw)

Tel: +886-(2)-8226-5990

## 1-4 Returning Merchandise for Service

A receipt or copy of your invoice marked with the date of purchase is required before any warranty service will be rendered. You can obtain service by calling your vendor for a Returned Merchandise Authorization (RMA) number. When returning to the manufacturer, the RMA number should be prominently displayed on the outside of the shipping carton, and mailed prepaid or hand-carried. Shipping and handling charges will be applied for all orders that must be mailed when service is complete.

For faster service, RMA authorizations may be requested online (<http://www.supermicro.com/support/rma/>).

Whenever possible, repack the chassis in the original Supermicro carton, using the original packaging material. If these are no longer available, be sure to pack the chassis securely, using packaging material to surround the chassis so that it does not shift within the carton and become damaged during shipping.

This warranty only covers normal consumer use and does not cover damages incurred in shipping or from failure due to the alteration, misuse, abuse or improper maintenance of products.

During the warranty period, contact your distributor first for any product problems.

## Notes

## Chapter 2

# System Safety

### 2-1 Overview

This chapter lists warnings, precautions, and system safety. You should thoroughly familiarize yourself with this chapter for a general overview of safety precautions that should be followed before installing and servicing this chassis.

### 2-2 Warnings and Precautions

You should inspect the box the chassis was shipped in and note if it was damaged in any way. If the chassis itself shows damage, file a damage claim with carrier who delivered your system.

Decide on a suitable location for the rack unit that will hold the chassis. It should be situated in a clean, dust-free area that is well ventilated. Avoid areas where heat, electrical noise and electromagnetic fields are generated.

You will also need it placed near at least one grounded power outlet. When configured, the SC219 chassis includes a power supply which requires a grounded outlet.

### 2-3 Preparing for Setup

The SC219 chassis includes a set of rail assemblies, including mounting brackets and mounting screws you will need to install the system into a rack. Please read this manual in its entirety before beginning the rack installation procedure.

## 2-4 Electrical Safety Precautions

Basic electrical safety precautions should be followed to protect yourself from harm and the SC219 from damage:

- Be aware of the locations of the power on/off switch on the chassis as well as the room's emergency power-off switch, disconnection switch or electrical outlet. If an electrical accident occurs, you can then quickly remove power from the system.
- Do not work alone when working with high-voltage components.
- Power should always be disconnected from the system when removing or installing main system components, such as the serverboard, memory modules and the DVD-ROM and peripheral drives (not necessary for hot-swappable drives). When disconnecting power, you should first power down the system with the operating system and then unplug the power cords from all the power supply modules in the system.
- When working around exposed electrical circuits, another person who is familiar with the power-off controls should be nearby to switch off the power, if necessary.
- Use only one hand when working with powered-on electrical equipment. This is to avoid making a complete circuit, which will cause electrical shock. Use extreme caution when using metal tools, which can easily damage any electrical components or circuit boards they come into contact with.
- Do not use mats designed to decrease electrostatic discharge as protection from electrical shock. Instead, use rubber mats that have been specifically designed as electrical insulators.
- The power supply power cord must include a grounding plug and must be plugged into grounded electrical outlets.
- Serverboard battery: CAUTION - There is a danger of explosion if the onboard battery is installed upside down, which will reverse its polarities This battery must be replaced only with the same or an equivalent type recommended by the manufacturer. Dispose of used batteries according to the manufacturer's instructions.

- Please handle used batteries carefully. Do not damage the battery in any way; a damaged battery may release hazardous materials into the environment. Do not discard a used battery in the garbage or a public landfill. Please comply with the regulations set up by your local hazardous waste management agency to dispose of your used battery properly.
- DVD-ROM laser: CAUTION - This server may have come equipped with a DVD-ROM drive. To prevent direct exposure to the laser beam and hazardous radiation exposure, do not open the enclosure or use the unit in any unconventional way.

## 2-5 General Safety Precautions

- Keep the area around the chassis clean and free of clutter.
- Place the chassis top cover and any system components that have been removed away from the system or on a table so that they won't accidentally be stepped on.
- While working on the system, do not wear loose clothing such as neckties and unbuttoned shirt sleeves, which can come into contact with electrical circuits or be pulled into a cooling fan.
- Remove any jewelry or metal objects from your body, which are excellent metal conductors that can create short circuits and harm you if they come into contact with printed circuit boards or areas where power is present.
- After accessing the inside of the system, close the system back up and secure it to the rack unit with the retention screws after ensuring that all connections have been made.

## 2-6 System Safety

Electrostatic discharge (ESD) is generated by two objects with different electrical charges coming into contact with each other. An electrical discharge is created to neutralize this difference, which can damage electronic components and printed circuit boards. The following measures are generally sufficient to neutralize this difference before contact is made to protect your equipment from ESD:

- Do not use mats designed to decrease electrostatic discharge as protection from electrical shock. Instead, use rubber mats that have been specifically designed as electrical insulators.

- Use a grounded wrist strap designed to prevent static discharge.
- Keep all components and printed circuit boards (PCBs) in their antistatic bags until ready for use.
- Touch a grounded metal object before removing any board from its antistatic bag.
- Do not let components or PCBs come into contact with your clothing, which may retain a charge even if you are wearing a wrist strap.
- Handle a board by its edges only; do not touch its components, peripheral chips, memory modules or contacts.
- When handling chips or modules, avoid touching their pins.
- Put the serverboard and peripherals back into their antistatic bags when not in use.
- For grounding purposes, make sure your computer chassis provides excellent conductivity between the power supply, the case, the mounting fasteners and the serverboard.



## Chapter 3

# System Interface

### 3-1 Overview

There are LEDs on the left control panel and LEDs on the drive carriers to keep you constantly informed of the over-all status of the system, as well as the activity and health of specific components. SC219 models include a power on/off button and a reset button. This chapter explains the meanings of all LED indicators and the appropriate responses you may need to take.

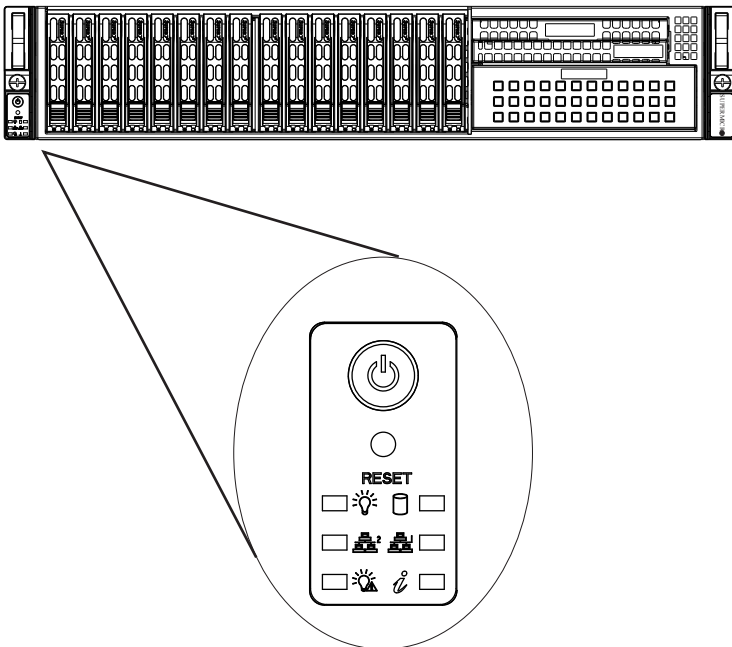


Figure 3-1: Chassis User Interface

## 3-2 Control Panel Buttons

There are two push-buttons located on the control panel on the left side of the chassis. These are a power on/off button and a reset button.



**Power:** The main power switch is used to apply or remove power from the power supply to the server system. Turning off system power with this button removes the main power, but keeps standby power supplied to the system. Therefore, you must unplug system before servicing.



**Reset:** The reset button is used to reboot the system. A needle, pen, or other small device is required to activate this button and reset the system

## 3-3 Control Panel LEDs

The control panel is located on the front of the SC219 chassis and has five LEDs. These LEDs provide you with critical information related to different parts of the system. This section explains what each LED indicates when illuminated and any corrective action you may need to take.



**Power:** Indicates power is being supplied to the system's power supply units. This LED should normally be illuminated when the system is operating.



**HDD:** Indicates IDE channel activity. SAS/SATA drive and/or DVD-ROM drive activity when flashing.



NIC1: Indicates network activity on GLAN1 when flashing.



NIC2: Indicates network activity on GLAN2 when flashing.



Power Failure: When this LED flashes, it indicates a power failure in the power supply.



Informational LED	
Status	Description
Continuously on and red	An overheat condition has occurred. (This may be caused by cable congestion.)
Blinking red (1Hz)	Fan failure, check for an inoperative fan.
Blinking red (0.25Hz)	Power failure, check for a non-operational power supply.
Solid blue	Local UID has been activated. Use this function to locate the server in a rack mount environment.
Blinking blue (300 mSEC)	Remote UID is on. Initiate this function from a remote location to identify the server.

## 3-4 Drive Carrier LEDs

Your chassis uses SAS/SATA drives.

### SAS/SATA Drives

Each SAS/SATA drive carrier has two LEDs.

#### Green LED:

Each SAS/SATA drive carrier has a green LED. When illuminated, this green LED (on the front of the SATA drive carrier) indicates drive activity. A connection to the SATA backplane enables this LED to blink on and off when that particular drive is being accessed.

Green LED	
Status	Description
Continuously on	SAS/SATA drive is being used continuously
Continuously off	SAS/SATA drive is being used continuously
Flashing on and off	SAS/SATA drive is being accessed

Red LED	
Status	Description
Continuously on	SAS/SATA drive is being used continuously
Flashing on and off	SAS/SATA drive is being rebuilt with RAID functionality after a drive has been replaced.

## Chapter 4

# Chassis Setup and Maintenance

### 4-1 Overview

This chapter covers the steps required to install components and perform maintenance on the SC219 chassis. The only tool you will need to install components and to perform maintenance is a Phillips screwdriver.

### 4-2 Installation and General Maintenance

The following sections will provide you with information on installing components and performing general maintenance on the system.

#### Installation Topics

- Removing the Chassis Cover
- Installing Hard Drives
- Installing the I/O Shield (LP chassis only)
- Installing Chassis Standoffs
- Installing the Motherboard
- Installing the Riser and Expansion Cards
- Installing the Air Shroud

#### General Maintenance Topics

- System Fans
- Power Supply
- Power Distributor
- Removing and Installing the Backplane



**Review the warnings and precautions listed in the manual before setting up or servicing this chassis. These include information in Chapter 2 System Safety and the warning/precautions listed in the setup instructions.**

## 4-3 Removing the Chassis Cover

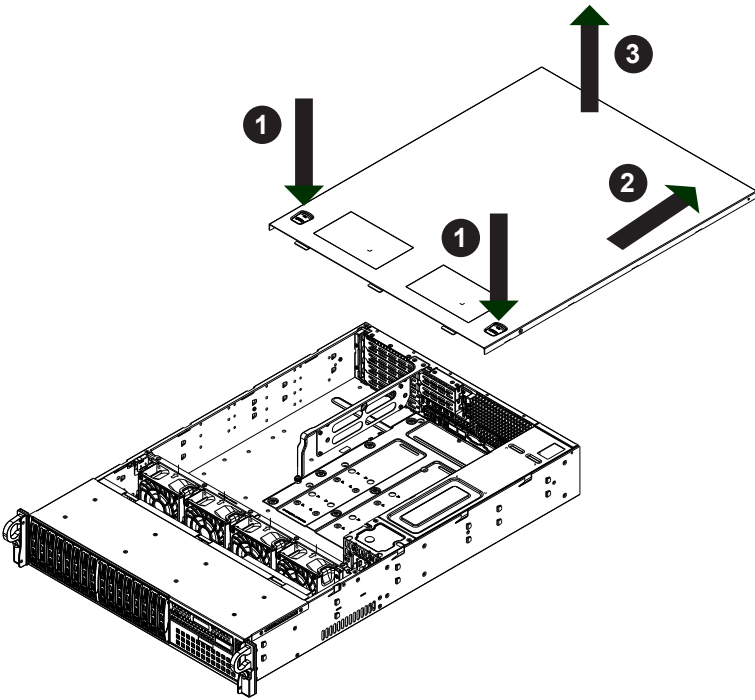


Figure 4-1: Removing the Chassis Cover

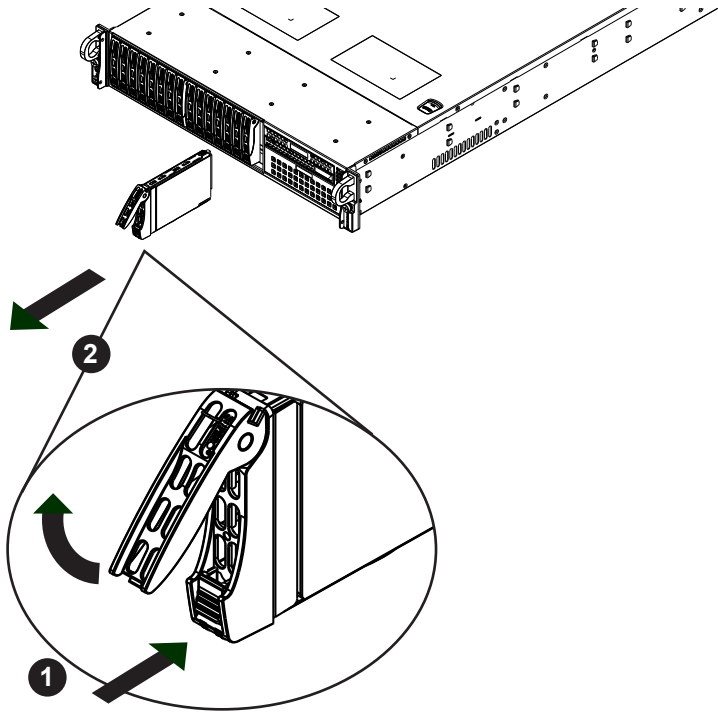
### *Removing the Chassis Cover the Chassis Cover*

1. Disconnect the chassis from any power source.
2. Press both release tabs at the same time to release the cover from the locked position.
3. Once the top cover has been released, slide the cover backwards, toward the rear of the chassis.
4. Lift the cover up and off the chassis.



**Warning:** Except for short periods of time, do NOT operate the server without the cover in place. The chassis cover must be in place to allow proper airflow and prevent overheating.

## 4-4 Installing Hard Drives



**Figure 4-2: Removing the Hard Drive Carrier**

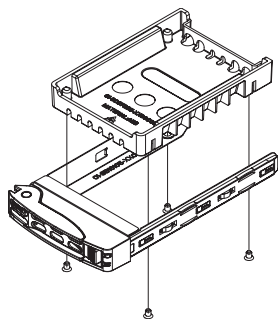
The SC219 comes equipped with sixteen hot-swappable hard drives. Only SAS or enterprise SATA HDDs are recommended for use in the SC219 chassis. Hot-swappable drives may be installed and removed from the chassis without powering down the server.

### ***Removing Hard Drive Carriers from the Chassis***

1. Press the release button on the drive carrier. This extends the drive carrier handle.
2. Use the handle to pull the carrier out of the chassis.

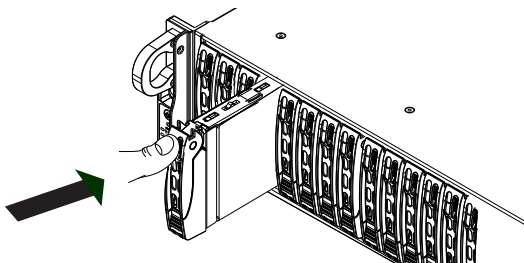


**Warning: Only enterprise level hard drives are recommended for use in this chassis.**



**Figure 4-3: Installing a Hard Drive in the Drive Carrier**  
*Installing a Hard Drive into a Drive Carrier*

1. Remove the screws securing the dummy drive to the drive carrier.
2. Insert a drive into the carrier with the PCB side facing down and the connector end toward the rear of the carrier and align the drive in the carrier so that the mounting holes of the carrier are aligned with the mounting holes of the drive. Note that there are holes in the carrier marked "SAS" or "SATA" to aid in correct installation.
3. Secure the drive to the carrier with four screws. Use the four M3 flat-head screws included in the HDD bag of your accessory box. Note that the screws used to secure the dummy drive to the tray cannot be used to secure the hard drive.
4. Insert the hard drive and drive carrier into its bay vertically, keeping the carrier oriented so that the release button is on the bottom. When the carrier reaches the rear of the bay, the handle will retract.
5. Using the thumb, push against the upper part of the drive carrier handle. Push the carrier into the drive bay as illustrated below, until the carrier clicks into the locked position.



**Figure 4-4: Proper Installation of the Hard Drive into the Hard Drive Bay**



## 4-5 Installing the I/O Shield (LP Version Only)

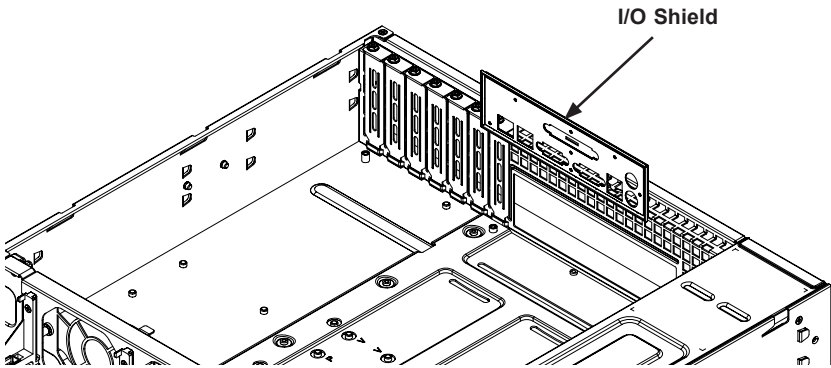


Figure 4-5: I/O Shield Placement

### I/O Shield (LP Version Only)

Skip this section when using a UIO/WIO chassis with a UIO/WIO motherboard.

The I/O shield holds the motherboard ports in place. Install the I/O shield before installing the motherboard. If the motherboard you purchased did not include an I/O shield, contact the motherboard vendor for a compatible shield.

#### *Installing the I/O Shield in the LP Model Chassis*

1. Review the documentation that came with your motherboard. Become familiar with component placement, requirements, and precautions.
2. Open the chassis cover.
3. With the illustrations facing the outside of the chassis, place the shield into the space provided at the rear of the chassis as illustrated above.

## 4-6 Installing Chassis Standoffs

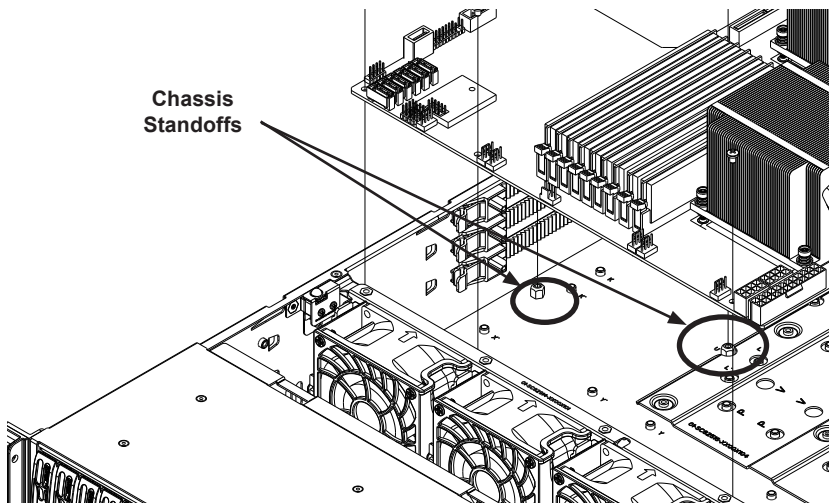


Figure 4-6: Chassis Standoffs

### Permanent and Optional Standoffs

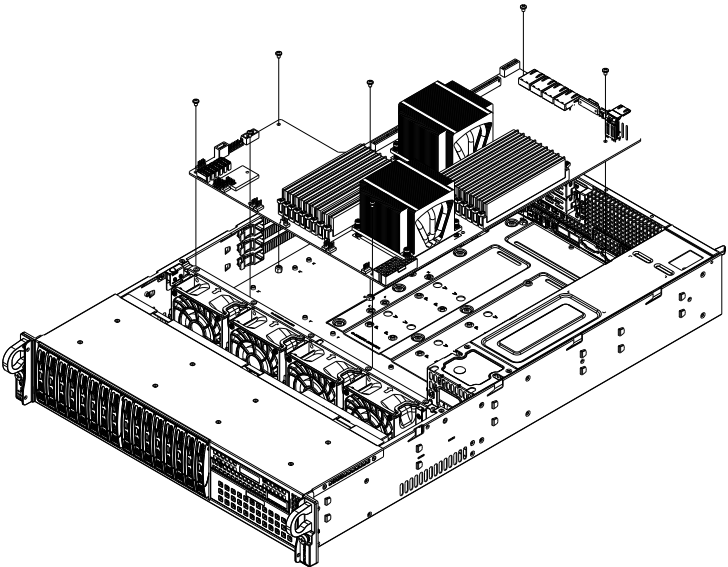
Standoffs prevent short circuits by creating space between the motherboard and the chassis surface. The SC219 chassis includes permanent standoffs in locations used by most motherboards. These standoffs accept the rounded Phillips head screws which are included in the SC219 accessories packaging.

Some motherboards require additional screws for heatsinks, general components and/or non-standard security. Optional standoffs are included for these motherboards. To use an optional standoff, place the hexagonal nut with the rounded side up, in the holes provided on the floor of the chassis.

## 4-7 Installing the Motherboard

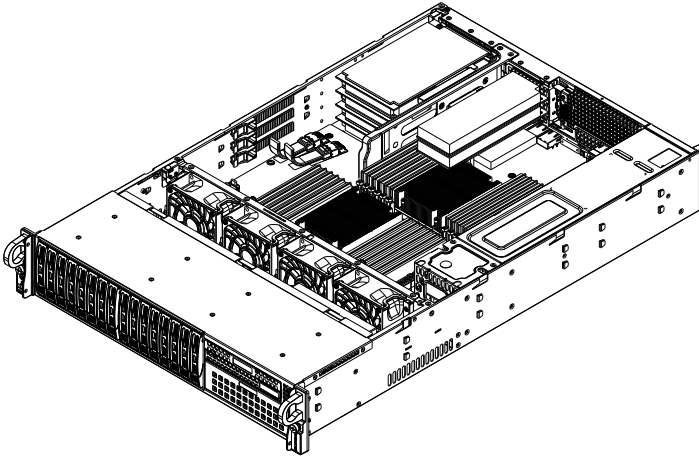
### *Installing the Motherboard*

1. Review the documentation that came with your motherboard. Become familiar with component placement, requirements, cautions, and cable connections. Note that your motherboard may be different than those illustrated.
2. Remove the chassis from any power source.
3. If necessary, remove the air shroud and riser card bracket.
4. Ensure that the I/O shield has been installed correctly (LP model chassis only)
5. Compare the mounting holes in the motherboard to those in the chassis. Add or remove standoffs as needed.
6. Lay the motherboard in the chassis and secure it to the chassis using the rounded, Phillips head screws which are included in the motherboard bag of the accessory box. Do not exceed eight pounds of torque when tightening down the motherboard.



**Figure 4-7: Installing the Low Profile Motherboard**

7. Secure the CPU(s), heatsinks, and other components to the motherboard as described in the motherboard documentation.
8. Connect the cables between the motherboard, backplane, chassis, front panel, and power supply, as needed. Additionally, the fans may be temporarily



**Figure 4-8: Motherboard Installed in a UIO/WIO Model Chassis**

## 4-8 Installing the Riser and Expansion Cards

The SC219 chassis supports four full-length half-height expansion cards and two low-profile expansion cards.

### Installing Riser Cards and Full-Length Expansion Cards

1. Remove the chassis from any power source and ensure that the motherboard has been properly installed.

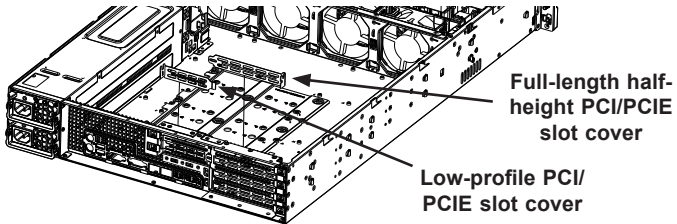


Figure 4-9: Removing the PCI/PCIE Slot Cover

2. Locate the horizontal full-length and low-profile **PCI/PCIE** card slots in the rear of the SC219 chassis. **Note that the bottom slot may be reversed on some chassis models. These chassis require that the bottom card be installed component side up and the upper three cards must be installed component side down.**
3. Open the clip securing the **PCI/PCIE** slot cover to the chassis and slide the slot cover sideways and out of the chassis.

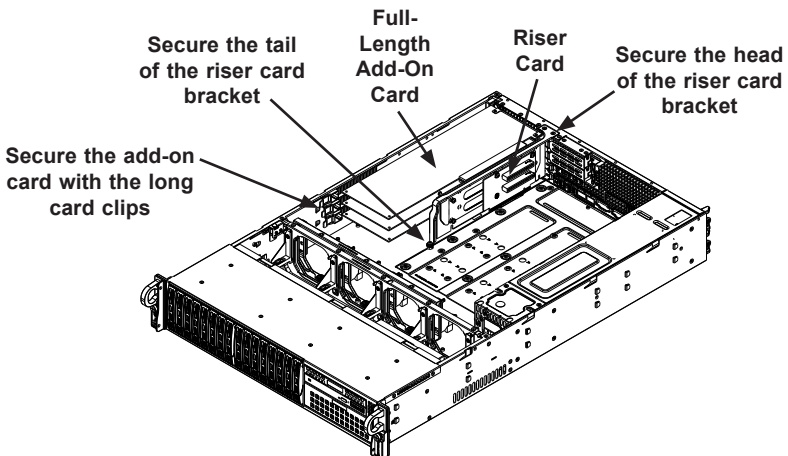


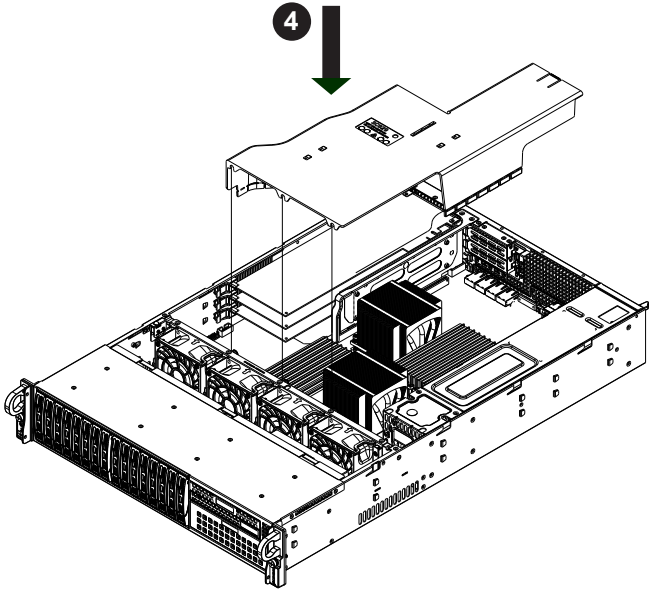
Figure 4-10: Installing the Riser Card and Expansion Cards

4. Insert the full-length expansion card into the riser card.
5. Slide the riser card carefully into the PCI/PCIE slot and simultaneously plug it into the slot on the motherboard.
6. Use two screws to secure the head of the riser card bracket onto the chassis wall and one screw to secure the riser card bracket to the floor fo the chassis.
7. Use the long card clips to secure the end of each expansion card to the wall of the chassis.

### ***Installing Low-Profile Expansion Cards***

1. Ensure that the riser card and riser card bracket have been correctly installed in the chassis.
2. Remove the slot cover from the rear low-profile PCI/PCIE slot in the rear of the chassis.
3. Slide the low-profile expansion card horizontally into the slot on the riser card.
4. Secure the expansion-card into the rear slot of the chassis with the PCI/PCIE card slot clip.

## 4-9 Installing the Air Shroud



**Figure 4-11: Air Shroud Installation**

Air shrouds concentrate airflow to maximize fan efficiency. The SC219 chassis air shroud does not require screws for installation.

### Installing the Air Shroud in the Chassis

#### *Installing the Air Shroud*

1. Lay the chassis on a flat, stable surface and remove the chassis cover.
2. Ensure that the motherboard, CPU, heatsink and memory are all properly installed.
3. If necessary, move any cables that interfere with the air shroud placement.
4. Place the air shroud in the chassis. The air shroud fits just behind the fans in the fan rack. Slide the air shroud into the grooves just behind the fan rack. Note that some motherboards may require the air shroud to be modified to fit over the motherboard. The SC219 chassis air shroud is designed with break-away pieces that may be removed to accommodate differing styles of motherboards.

## 4-10 Checking the Airflow

### *Checking the Server's Airflow*

1. Make sure there are no objects to obstruct airflow in and out of the server. In addition, if you are using a front bezel, make sure the bezel's filter is replaced periodically.
2. Do not operate the server without drives or drive trays in the drive bays. Use only recommended server parts.
3. Make sure no wires or foreign objects obstruct airflow through the chassis. Pull all excess cabling out of the airflow path or use shorter cables.

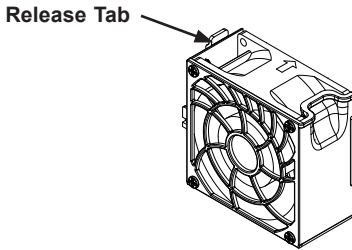
### **Installation Complete**

In most cases, the chassis power supply and fans are pre-installed. If you need to install fans continue to the Systems Fan section of this chapter. If the chassis will be installed into a rack, continue to the next chapter for rack installation instructions.



## 4-11 System Fans

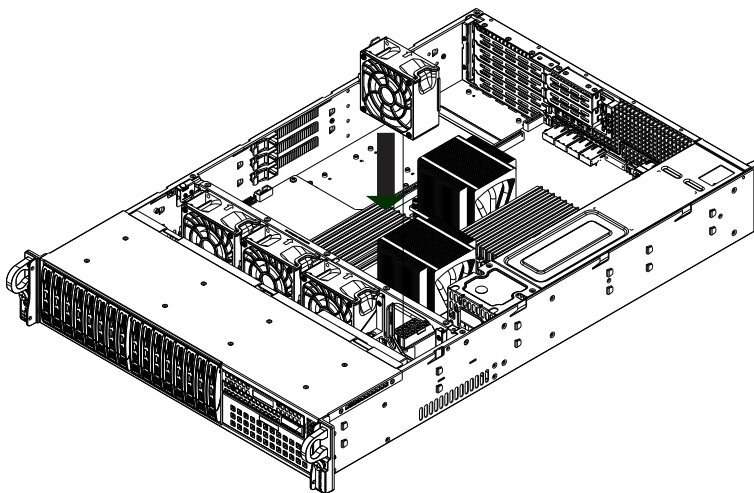
Up to seven heavy-duty fans may be used to provide cooling for the chassis. Four fans are located on the front side of the fan bracket, and three optional fans may be placed on the rear side of the fan bracket for cooling redundancy with E-ATX or ATX motherboards. The fans circulate air through the chassis as a means of lowering the chassis internal temperature. The SC219 fans are hot-swappable, enabling the fans to be replaced without powering-down the system.



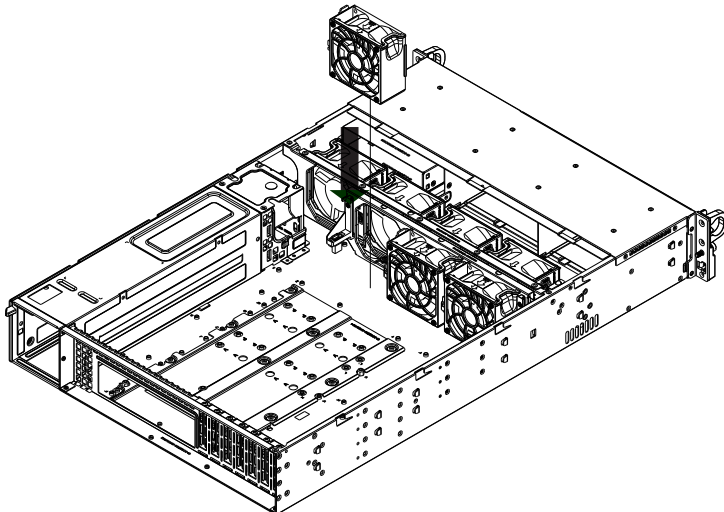
**Figure 4-12: System Fan**

### ***Replacing a System Fan***

1. If necessary, open the chassis while the power is running to determine which fan requires changing. (Never run the server for an extended period of time with the chassis open.)
2. Press the fan release tab to lift the failed fan from the chassis and pull it completely out of the chassis.
3. Place the new fan into the vacant space in the housing while making sure the arrows on the top of the fan (indicating air direction) point in the same direction as the arrows on the other fans.
4. The fan will automatically begin running at the correct speed.



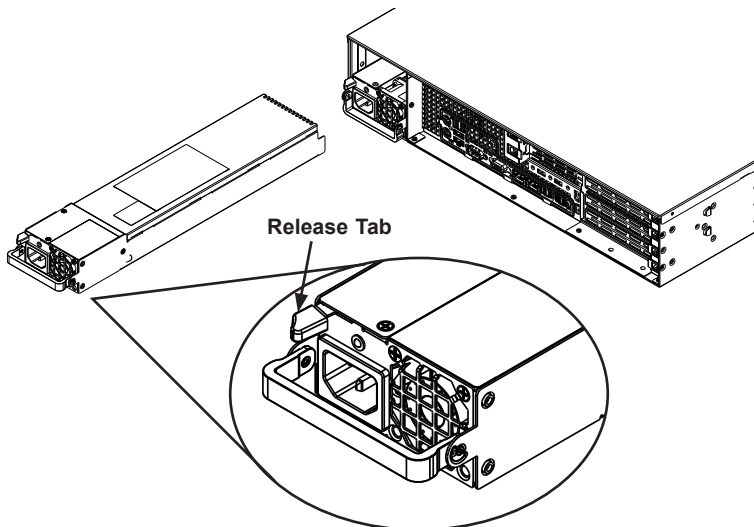
**Figure 4-13: Installing a Front System Fan**



**Figure 4-14: Installing an Optional System Fan**

## 4-12 Power Supply

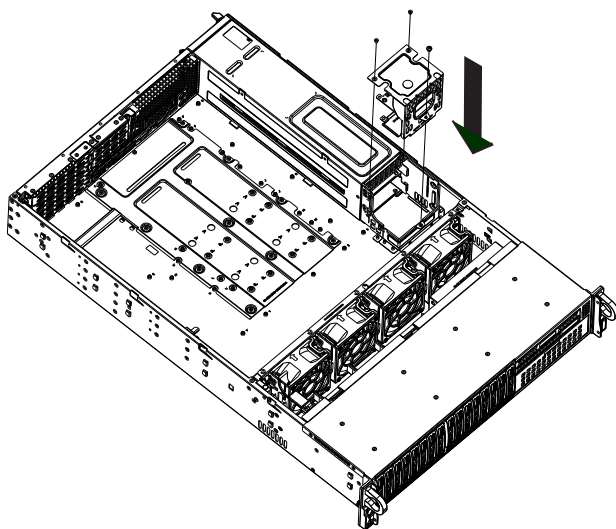
The SC219 chassis has redundant 920 Watt power supplies. The power modules are hot-swappable, enabling them be changed without powering down the system. These power supplies are auto-switching capable. This enables the power supply to automatically sense and operate at a 100v to 240v input voltage. An amber light will be illuminated on the power supply when the power is off. An illuminated green light indicates that the power supply is operating.



**Figure 4-15: Removing the Power Supply**

### ***Changing the Power Supply***

1. Determine which power supply needs to be replaced and unplug the power cord to that module.
2. Push the release tab on the back of the power supply as illustrated to release the power module from the chassis.
3. While holding down the release tab, pull the power supply out using the handle provided on the power module.
4. Replace the failed power module with the same model power supply.
5. Push the new power supply module into the power bay until the tab clicks into the locked position.
6. Plug the AC power cord back into the module and the replacement power module will automatically power-up.



**Figure 4-16 Installing the Power Distributor**

## 4-13 Power Distributor

The power distributor provides failover and power supply redundancy and is pre-installed in the chassis. In the unlikely event that you have to replace the power distributor, follow the steps below.

### ***Changing the Power Distributor***

1. Power down the server and unplug the power cord from the power module.
2. Remove all cable connections to the power supply from the motherboard, backplane, and other components.
3. Remove both power supply modules.
4. Remove the three screws securing the power distributor.
5. Gently pull the power distributor from the chassis and carefully guide all of the cables through the power distributor housing.
6. Slide the new power distributor module into the power distributor housing. Make that you slide the cables through the bottom of the housing.
7. Reconnect all the power cables, replace the power supply, and insert the plug into the power supply.

## 4-14 Removing the Backplane

The SC219 chassis backplane is located behind the hard drives and in front of the front system fans. In order to change jumper settings on the backplane, it may be necessary to remove the backplane from the chassis.

### *Removing the Backplane from the Chassis*

1. Power down and unplug the system from any power source.
2. Remove the chassis cover.
3. Disconnect the cabling to the backplane.
4. Remove all of the hard drives from the hard drive bays in the front of the chassis
5. Remove the three upper screws at the top of the backplane, indicated by the arrows below.

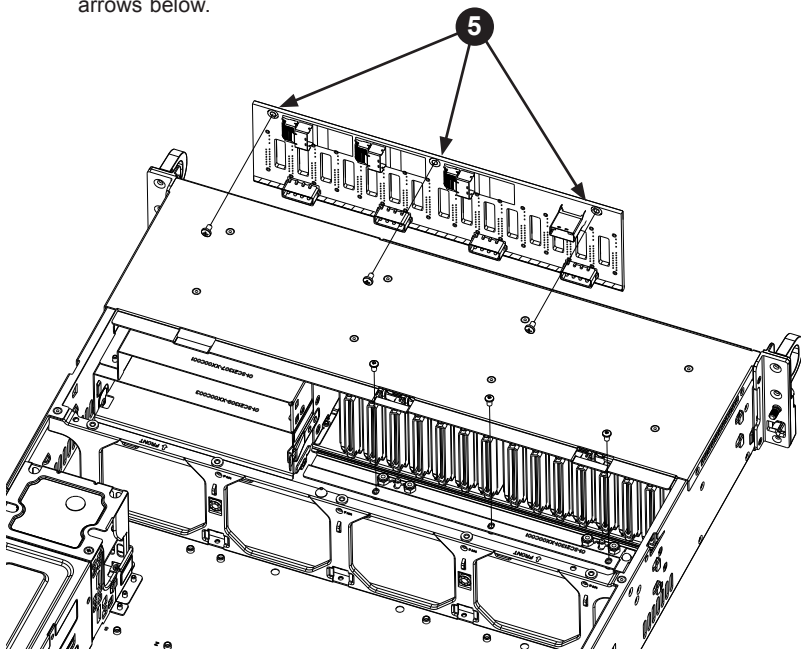
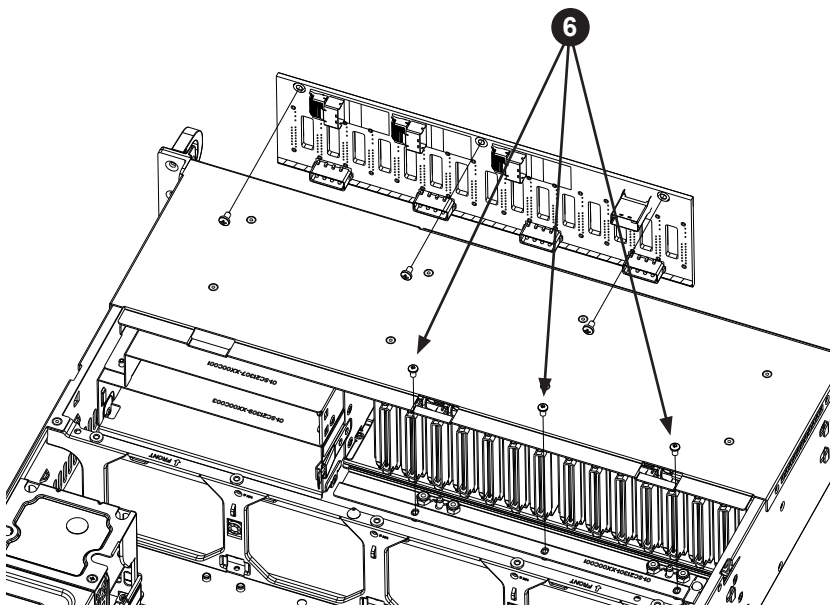


Figure 4-17: Removing the Screws at the Top of the Backplane

6. Loosen but do not remove the three screws in the spring bar, located on the floor of the chassis, indicated by the arrows below.



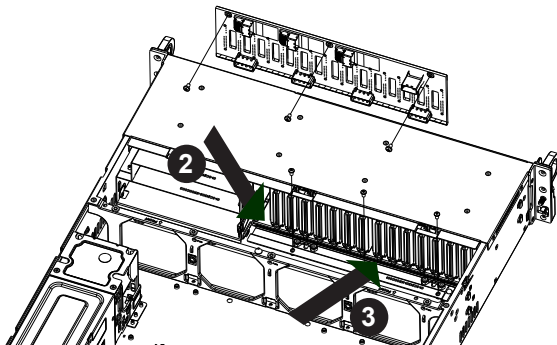
**Figure 4-18: Loosening the Spring Bar Screws in the Floor of the Chassis**

7. Gently ease the backplane up and out of the chassis.

## 4-15 Installing the Backplane

### *Installing the Backplane into the Chassis*

1. Ensure that all of the hard drive carriers have been removed from the bays in the front of the chassis and that the spring bar has been loosened as directed in the previous section.
2. Slide the backplane into the chassis at a slight angle, pushing it up against the side of the chassis.
3. Ease the backplane forward, against the front of the chassis. This will aid in the alignment of the mounting holes.
4. Align the mounting holes in the backplane with the holes in the chassis. Replace the three screws at the top of the backplane and the three screws in the floor of the chassis.
5. Reconnect all cables and return the hard drive trays to their bays in the front of the chassis.



**Figure 4-19: Installing the Backplane**

# Notes



## Chapter 5

# Rack Installation

### 5-1 Overview

This chapter provides instructions for installing the mounting rails onto a rack and installing the chassis into the mounting rails.

### 5-2 Unpacking the System

You should inspect the box which the chassis was shipped in and note if it was damaged in any way. If the chassis itself shows damage, you should file a damage claim with the carrier who delivered it.

Decide on a suitable location for the rack unit that will hold your chassis. It should be situated in a clean, dust-free area that is well ventilated. Avoid areas where heat, electrical noise and electromagnetic fields are generated. The system needs to be placed near a grounded power outlet. Be sure to read the Rack and Server Precautions in the next section.

### 5-3 Preparing for Setup

The box your chassis was shipped in should include two sets of rail assemblies and the mounting screws needed for installing the system into the rack. Also included is an optional square hole to round hole converter bracket, for use in racks with round mounting holes. *Please read this section in its entirety before you begin the installation procedure outlined in the sections that follow.*

#### Choosing a Setup Location

- Leave enough clearance in front of the rack to enable you to open the front door completely (~25 inches).
- Leave approximately 30 inches of clearance in the back of the rack to allow for sufficient airflow and ease in servicing.
- This product is for installation only in a Restricted Access Location (dedicated equipment rooms, service closets and the like).



**Warning!**



## 5-4 Warnings and Precautions

### Rack Precautions

- Ensure that the leveling jacks on the bottom of the rack are fully extended to the floor with the full weight of the rack resting on them.
- In single rack installations, stabilizers should be attached to the rack.
- In multiple rack installations, the racks should be coupled together.
- Always make sure that the rack is stable before extending a component from the rack.
- You should extend only one component at a time - extending two or more simultaneously may cause the rack to become unstable.

### General Server Precautions

- Review the electrical and general safety precautions that came with the components you are adding to your chassis.
- Determine the placement of each component in the rack *before* you install the rails.
- Install the heaviest server components on the bottom of the rack first, and then work upwards.
- Use a regulating uninterruptible power supply (UPS) to protect the server from power surges, voltage spikes and to keep your system operating in case of a power failure.
- Allow the hot plug hard drives and power supply modules to cool before touching them.

- Always keep the rack's front door and all panels and components on the servers closed when not servicing to maintain proper cooling.

## 5-5 Rack Mounting Considerations

### **Ambient Operating Temperature**

If installed in a closed or multi-unit rack assembly, the ambient operating temperature of the rack environment may be greater than the ambient temperature of the room. Therefore, consideration should be given to installing the equipment in an environment compatible with the manufacturer's maximum rated ambient temperature (TMRA).

### **Reduced Airflow**

Equipment should be mounted into a rack so that the amount of airflow required for safe operation is not compromised.

### **Mechanical Loading**

Equipment should be mounted into a rack so that a hazardous condition does not arise due to uneven mechanical loading.

### **Circuit Overloading**

Consideration should be given to the connection of the equipment to the power supply circuitry and the effect that any possible overloading of circuits might have on overcurrent protection and power supply wiring. Appropriate consideration of equipment nameplate ratings should be used when addressing this concern.

### **Reliable Ground**

A reliable ground must be maintained at all times. To ensure this, the rack itself should be grounded. Particular attention should be given to power supply connections other than the direct connections to the branch circuit (for example, the use of power strips, etc.).

## 5-6 Rack Mounting Instructions

This section provides information on installing the chassis into a rack unit with the rails provided. There are a variety of rack units on the market, which may mean that the assembly procedure will differ slightly from the instructions provided. You should also refer to the installation instructions that came with the rack unit you are using. **NOTE:** This rail will fit a rack between 26.5" and 36.4" deep.

### Identifying the Sections of the Rack Rails

The chassis package includes two rail assemblies in the rack mounting kit. Each assembly consists of three sections: An inner chassis rail which secures directly to the chassis, an outer rail that secures to the rack, and a middle rail which extends from the outer rail. These assemblies are specifically designed for the left and right side of the chassis.

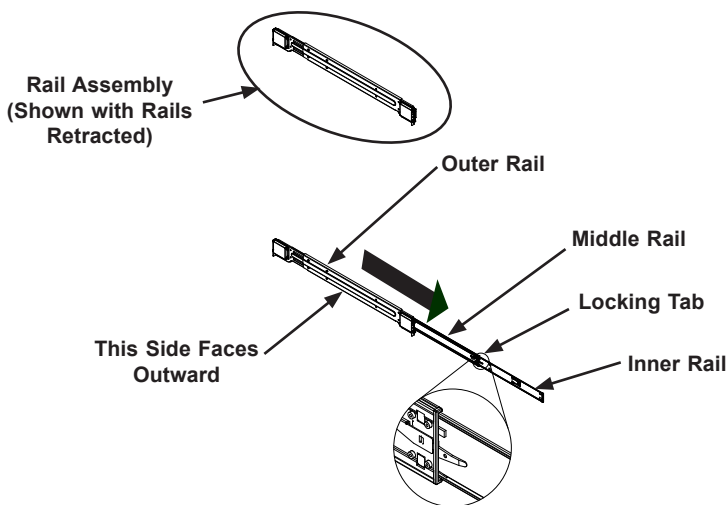


Figure 5-1: Identifying the Outer Rail, Middle Rail and Inner Rails (Left Rail Assembly Shown)

## Locking Tabs

Each inner rail has a locking tab. This tab locks the chassis into place when installed and pushed fully into the rack. These tabs also lock the chassis in place when fully extended from the rack. This prevents the server from coming completely out of the rack when the chassis is pulled out for servicing.

## Releasing the Inner Rail

### *Releasing Inner Rail from the Outer Rails*

1. Identify the left and right outer rail assemblies as described on page 5-4.
2. Pull the inner rail out of the outer rail until it is fully extended as illustrated below.
3. Press the locking tab down to release the inner rail.
4. Repeat steps 1-3 for the second outer rail.

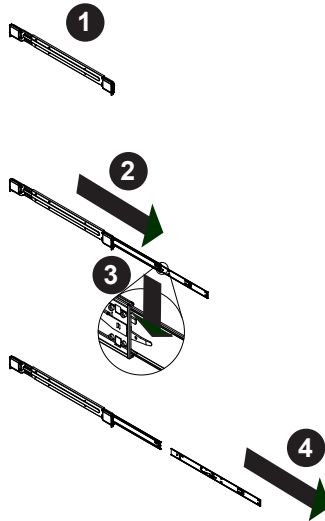


Figure 5-2: Extending and Releasing the Inner Rail

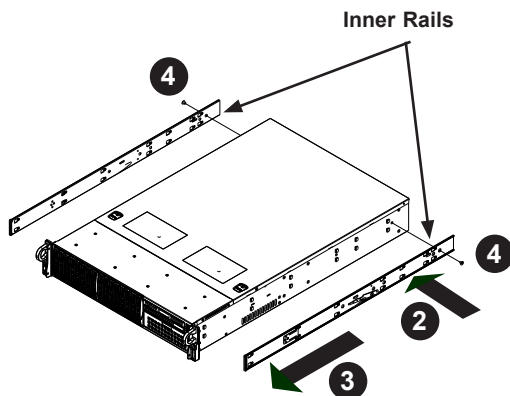


Figure 5-3: Installing the Inner Rails

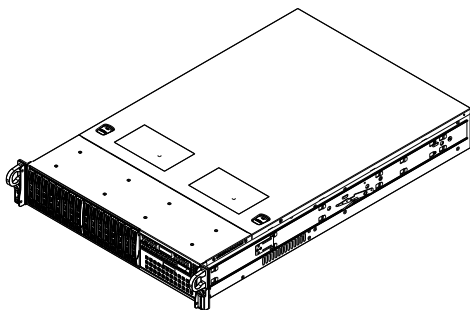
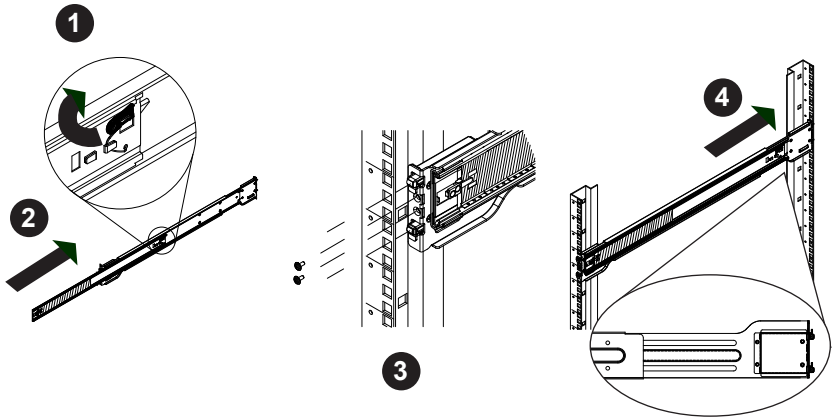


Figure 5-4: Inner Rails Installed on the Chassis

## Installing The Inner Rails on the Chassis

### *Installing the Inner Rails*

1. Confirm that the left and right inner rails have been correctly identified.
2. Place the inner rail firmly against the side of the chassis, aligning the hooks on the side of the chassis with the holes in the inner rail.
3. Slide the inner rail forward toward the front of the chassis until the rail clicks into the locked position, which secures the inner rail to the chassis.
4. Secure the inner rail to the chassis with the screws provided.
5. Repeat steps 1 through 4 above for the other inner rail.



**Figure 5-5: Extending and Releasing the Outer Rails**

## Installing the Outer Rails on the Rack

### *Installing the Outer Rails*

1. Press upward on the locking tab at the rear end of the middle rail.
2. Push the middle rail back into the outer rail.
3. Hang the hooks of the front of the outer rail onto the slots on the front of the rack. If necessary, use screws to secure the outer rails to the rack, as illustrated above.
4. Pull out the rear of the outer rail, adjusting the length until it fits within the posts of the rack.
5. Hang the hooks of the rear portion of the outer rail onto the slots on the rear of the rack. If necessary, use screws to secure the rear of the outer rail to the rear of the rack.
6. Repeat steps 1-5 for the remaining outer rail.

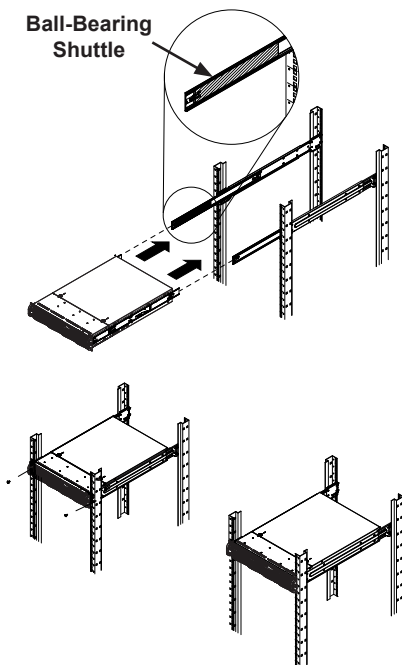


Figure 5-6: Installing into a Rack

## Standard Chassis Installation

### *Installing the Chassis into a Rack*

1. Confirm that the inner rails are properly installed on the chassis.
2. Confirm that the outer rails are correctly installed on the rack.
3. Pull the middle rail out from the front of the outer rail and make sure that the ball-bearing shuttle is at the front locking position of the middle rail.
4. Align the chassis inner rails with the front of the middle rails.
5. Slide the inner rails on the chassis into the middle rails, keeping the pressure even on both sides, until the locking tab of the inner rail clicks into the front of the middle rail, locking the chassis into the fully extended position.
6. Depress the locking tabs of both sides at the same time and push the chassis all the way into the rear of the rack.
7. If necessary for security purposes, use screws to secure the chassis handles to the front of the rack.



## **Optional Quick Installation Method**

The following quick installation method may be used to install the chassis onto a rack.

### ***Installing the Chassis into a Rack***

1. Install the whole rail assembly onto the rack as described on page 5-7.
2. Release the inner rail without retracting the middle rail.
3. Install the inner rails on the chassis as previously described on page 5-6.
4. Install the chassis onto the middle rail as described in the previous section.

## Notes

## Appendix A

### SC219 Chassis Cables

#### A-1 Overview

This appendix lists supported cables for your chassis system. It only includes the most commonly used components and configurations. For more compatible cables, refer to the manufacturer of the motherboard you are using and our Web site at: [www.supermicro.com](http://www.supermicro.com).

#### A-2 Optional iPass cables for the SC219 (SAS/SATA)

SC219A-R920LPB, SC219A-R920UB			
Part #	Type	Length	Description
CBL-0281L	Cable	75 cm	SFF 8087 to SFF 8087 Internal Backplane Cable
CBL-0108L-02	Cable	39 cm	SFF 8087 to SFF 8087 Internal Backplane Cable

## A-3 Compatible Cables

These cables are compatible with the SC219 Chassis.

### Alternate SAS/SATA Cables

Some compatible motherboards have different connectors. If your motherboard has only one SAS connector that the SAS/SATA cables must share, use one of the following cables. These cables must be purchased separately.

**Cable Name:** SAS/SATA Cable

**Quantity:** 1

**Part #:** CBL-0116L

**Alt. Name:** iPass or "Small Four"

**Description:** This cable has one iPass (SFF-8087/Mini-SAS) connector (36-pin) at one end and four SATA connectors with a sideband on the other end. This cable connects from the host motherboard SATA ports to the backplane SAS hard drive iPass port if the motherboard has only SATA connectors.

## Extending Power Cables

Although Supermicro chassis are designed to be efficient and cost-effective, some compatible motherboards have power connectors located in different areas.

To use these motherboards you may have to extend the power cables to the motherboards. To do this, use the following chart as a guide.

<b>Power Cable Extenders</b>		
<b>Number of Pins</b>	<b>Cable Part #</b>	<b>Length</b>
24-pin	CBL-0042	7.9" (20 cm)
20-pin	CBL-0059	7.9" (20 cm)
8-pin	CBL-0062	7.9" (20 cm)
4-pin	CBL-0060	7.9" (20 cm)

## Front Panel to the Motherboard

The SC219 chassis includes a cable to connect the chassis front panel to the motherboard. If your motherboard uses a different connector, use the following list to find a compatible cable.

<b>Front Panel to Motherboard Cable (Ribbon Cable)</b>		
<b>Number of Pins (Front Panel)</b>	<b>Number of Pins (Motherboard)</b>	<b>Cable Part #</b>
16-pin	16-pin	CBL-0049
16-pin	20-pin	CBL-0048
20-pin	20-pin	CBL-0047
16-pin	Varies*	CBL-0068
20-pin	Varies*	CBL-0067

\* Split cables: Use these cables if your motherboard requires several different connections from the front panel.

## Notes

## Appendix B

### SC219 Power Supply Specifications

This appendix lists power supply specifications for the SC219 system.

<b>SC219A-R920LPB, SC219A-R920UB, SC219A-R920WB</b>	
<b>920W</b>	
<b>MFR Part #</b>	PWS-920P-1R
<b>AC Input</b>	100 - 240V 50 - 60Hz 11 - 4.5 Amp
<b>DC Output</b>	4 Amp @ +5V standby 75 Amp @ +12V
<b>With Power Distributor</b>	+5V: 50 Amp +3.3V: 30 Amp -12V: 0.6 Amp

# Notes



## Appendix C

### SAS-213A Backplane Specifications

To avoid personal injury and property damage, carefully follow all the safety steps listed below when accessing your system or handling the components.

#### C-1 ESD Safety Guidelines

Electrostatic Discharge (ESD) can damage electronic components. To prevent damage to your system, it is important to handle it very carefully. The following measures are generally sufficient to protect your equipment from ESD.

- Use a grounded wrist strap designed to prevent static discharge.
- Touch a grounded metal object before removing a component from the antistatic bag.
- Handle the backplane by its edges only; do not touch its components, peripheral chips, memory modules or gold contacts.
- When handling chips or modules, avoid touching their pins.
- Put the card and peripherals back into their antistatic bags when not in use.

#### C-2 General Safety Guidelines

- Always disconnect power cables before installing or removing any components from the computer, including the backplane.
- Disconnect the power cable before installing or removing any cables from the backplane.
- Make sure that the backplane is securely and properly installed on the motherboard to prevent damage to the system due to power shortage.

### **C-3 A Note to Users**

- All images and layouts shown in this user's guide are based upon the latest PCB Revision available at the time of publishing. The card you have received may or may not look exactly the same as the graphics shown in this manual.

### **C-4 Introduction to the SAS-213A Backplane**

The SAS-213A backplane has been designed to utilize the most up-to-date technology available, providing your system with reliable, high-quality performance.

This manual reflects SAS-213A Revision 1.00, the most current release available at the time of publication. Always refer to the Supermicro Web site at [www.supermicro.com](http://www.supermicro.com) for the latest updates, compatible parts and supported configurations.

## C-5 Front Connectors and Jumpers

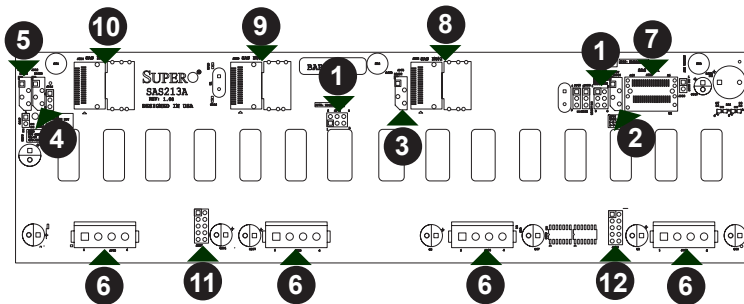


Figure C-1: Front Connectors and Jumpers

### Front Connectors

- |   |                          |
|---|--------------------------|
| 1. Upgrade Connectors JP69 and JP78                 | 7. SAS IN#1 JSM1         |
| 2. I <sup>2</sup> C Connector #1 (JP37)             | 8. SAS IN#2 JSM2         |
| 3. I <sup>2</sup> C Connector #2 (JP95)             | 9. SAS IN#3 JSM3         |
| 4. I <sup>2</sup> C Connector #3 (JP52)             | 10. SAS IN#4 JSM4        |
| 5. I <sup>2</sup> C Connector #4 (JP96)             | 11. JP27 Activity LED #2 |
| 6. Power Connectors (4-pin): JP10, JP13, JP46, JP48 | 12. JP26 Activity LED #1 |

## C-6 Front Connector and Pin Definitions

### 1. Upgrade Connectors

The upgrade connectors are designated JP69, and JP78 are used for manufacturer's diagnostic purposes only.

### 2. - 5. I<sup>2</sup>C Connectors

The I<sup>2</sup>C Connectors, designated JP37, JP95, JP52 and JP96 are used to monitor HDD activity and status. See the table on the right for pin definitions.

I <sup>2</sup> C Connector Pin Definitions	
Pin# Definition	
1	Data
2	Ground
3	Clock
4	No Connection

### 6. Backplane Main Power Connectors

The 4-pin connectors, designated JP10, JP13, JP46 and JP48 provide power to the backplane. See the table on the right for pin definitions.

Backplane Main Power 4-Pin Connector)	
Pin# Definition	
1	+12V
2 and 3	Ground
4	+5V

### 7. - 10. SAS IN Ports (Sideband included)

The SAS ports are used to connect the SAS drive cables. The four SAS IN ports are designated #JSM1 - #JSM4. Each port is also compatible with SATA drives.

Sideband Definitions			
Pin # Definition		Pin # Definition	
A11	<b>SGPIO:</b> SDIN  <b>FC:</b> Backplane Addressing (SB5)	B11	Controller ID (SB6)
A12	<b>SGPIO:</b> SDOUT  <b>FC:</b> Reset (SB4)	B10	GND (SB2)
A9	GND (SB3)	B9	<b>SGPIO:</b> SLOAD  <b>FC:</b> SDA (SB1)
A8	Backplane ID (SB7)	B8	<b>SGPIO:</b> SCLOCK  <b>FC:</b> SCL (SB0)

**11. - 12. ACT\_IN:**

The activity LED connectors, designated JP26, and JP27 are used to indicate the activity status of each SAS drive. The activity LED connector is located on the front panel. For the activity LED connector to work properly, connect using a 10-pin LED cable. This is only used when the activity LED is not supported by the hard drive.

SAS Activity LED Header Pin Definitions			
Pin#	Definition	Pin#	Definition
1	ACT IN#0	6	ACT IN#4
2	ACT IN#1	7	ACT IN#5
3	ACT IN#2	8	ACT IN#6
4	ACT IN#3	9	ACT IN#7
5	Ground	X	Empty

SAS Activity LED Header Pin Definitions			
Pin#	Definition	Pin#	Definition
1	ACT IN#8	6	ACT IN#12
2	ACT IN#9	7	ACT IN#13
3	ACT IN#10	8	ACT IN#14
4	ACT IN#11	9	ACT IN#15
5	Ground	X	Empty

## C-7 Front Jumper Locations and Pin Definitions

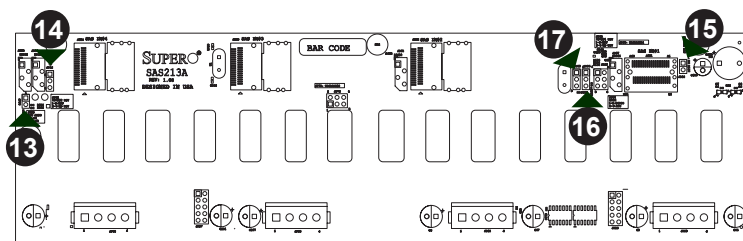
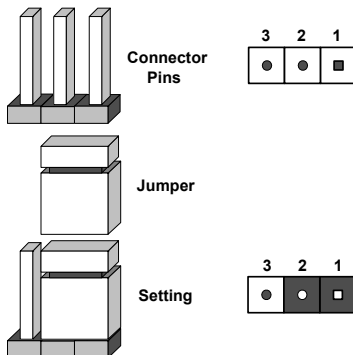


Figure C-2: Front Jumpers

13. JP80 I<sup>2</sup>C Addr On C0, Off C2 (Not populated)
14. Chip Reset JP36 1-2 Reset, 2-3 No Reset (Not populated)
15. Buzzer Reset\* JP18
16. JP84 1-2 SGPIO, 2-3 I<sup>2</sup>C
17. Chip Reset JP35 1-2 Reset, 2-3 No Reset (Not populated)

### Explanation of Jumpers

To modify the operation of the backplane, jumpers can be used to choose between optional settings. Jumpers create shorts between two pins to change the function of the connector. Pin 1 is identified with a square solder pad on the printed circuit board. Note: On two pin jumpers, "Closed" means the jumper is on and "Open" means the jumper is off the pins.



\*The buzzer sound indicates that a condition requiring immediate attention has occurred.

**The buzzer alarm is triggered by the following conditions:**

1. Hard drive failure
2. Fan failure
3. System temperature over 45° Celsius.

## I<sup>2</sup>C and SGPIO Modes and Jumper Settings

This backplane can utilize I<sup>2</sup>C or SGPIO. SGPIO is the default mode and can be used without making changes to your jumper. The following information details which jumper must be configured to use SGPIO mode or restore your backplane to I<sup>2</sup>C mode.

SGPIO Setting (Default)		
Jumper	Jumper Setting	Note
JP84	1-2	SGPIO Mode Setting

I <sup>2</sup> C Setting		
Jumper	Jumper Setting	Note
JP84	2-3	I <sup>2</sup> C Setting

## Front LED Indicators

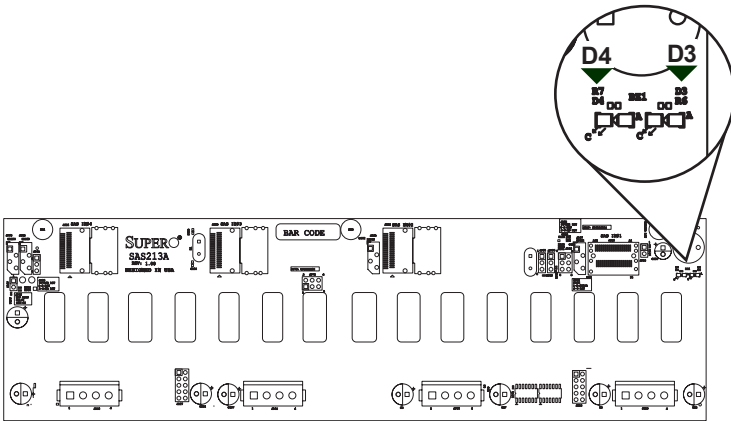


Figure C-3: Front LEDs

Front Panel LEDs		
LED	State	Specification
D3	On	Alarm #1
D4	On	Alarm #2



## C-7 Rear Components, Connectors and LED Indicators

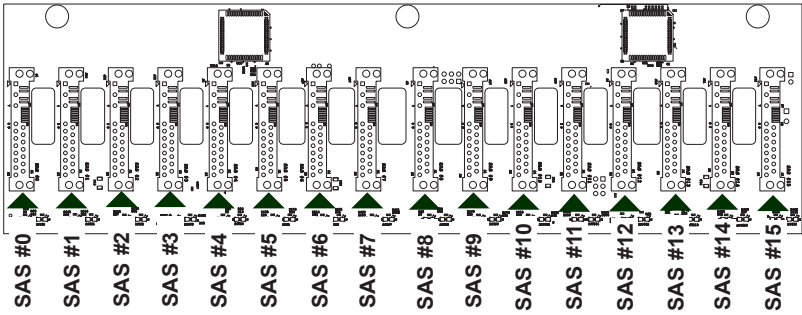


Figure C-4 Rear Connectors

Rear SAS/SATA Connectors	
Rear Connector	SAS Drive Number
SAS #0	SAS/SATA HDD #0
SAS #1	SAS/SATA HDD #1
SAS #2	SAS/SATA HDD #2
SAS #3	SAS/SATA HDD #3
SAS #4	SAS/SATA HDD #4
SAS #5	SAS/SATA HDD #5
SAS #6	SAS/SATA HDD #6
SAS #7	SAS/SATA HDD #7
SAS #8	SAS/SATA HDD #8
SAS #9	SAS/SATA HDD #9
SAS #10	SAS/SATA HDD #10
SAS #11	SAS/SATA HDD #11
SAS #12	SAS/SATA HDD #12
SAS #13	SAS/SATA HDD #13
SAS #14	SAS/SATA HDD #14
SAS #15	SAS/SATA HDD #15

<b>Rear LED Indicators</b>		
<b>Rear LED</b>	<b>Hard Drive Activity</b>	<b>Failure LED</b>
SAS #0	D12	D5
SAS #1	D22	D23
SAS #2	D40	D37
SAS #3	D102	D107
SAS #4	D13	D6
SAS #5	D24	D29
SAS #6	D41	D38
SAS #7	D104	D108
SAS #8	D14	D7
SAS #9	D25	D30
SAS #10	D42	D39
SAS #11	D106	D109
SAS #12	D15	D8
SAS #13	D26	D31
SAS #14	D87	D88
SAS #15	D111	D110

## Notes

Disclaimer (cont.)

The products sold by Supermicro are not intended for and will not be used in life support systems, medical equipment, nuclear facilities or systems, aircraft, aircraft devices, aircraft/emergency communication devices or other critical systems whose failure to perform be reasonably expected to result in significant injury or loss of life or catastrophic property damage. Accordingly, Supermicro disclaims any and all liability, and should buyer use or sell such products for use in such ultra-hazardous applications, it does so entirely at its own risk. Furthermore, buyer agrees to fully indemnify, defend and hold Supermicro harmless for and against any and all claims, demands, actions, litigation, and proceedings of any kind arising out of or related to such ultra-hazardous use or sale.